

Paramount

Designer Plasma Style Wall Mount Fireplace

Owner's Manual

Model #: EF-DD2C



READ & SAVE THESE INSTRUCTIONS

Carefully read and review before assembling, installing, operating or maintaining this product. Observe all safety instructions and information.



FAILURE TO FOLLOW WARNINGS & OPERATIONAL INSTRUCTIONS CONTAINED IN THIS MANUAL CAN RESULT IN PROPERTY DAMAGE OR PERSONAL INJURY.

****IMPORTANT NOTICE****

Please contact our toll free hotline:

1-800-561-5550

parts@jrhome.com

For customer service & warranty issues



SAFETY GUIDELINES

Read this manual carefully for the assembly and use of this product.

Read these instructions completely before beginning installation. Failure to follow these instructions could cause a heater malfunction resulting in serious injury and/or property damage.



WARNING:

All electrical heaters have hot and arcing or sparking parts inside. Do not use this fireplace in areas where gasoline, paint or flammable liquids are present.



WARNING:

This electric fireplace is tested and listed for use only with the optional accessories listed in these instructions. Use of optional accessories not specifically tested for this electric fireplace could void the heater warranty and/or result in a safety hazard.

This electric fireplace meets the construction and safety standards of H.U.D. for application in manufactured homes when installed according to these instructions.

CAUTION:



SA1965

RISK OF ELECTRIC SHOCK
DO NOT OPEN FIREPLACE
NO USER-SERVICEABLE PARTS INSIDE
HIGH TEMPERATURE



SA1965

CAUTION:



High temperature, risk of fire. Keep electrical cords, drapery, furnishings and other combustibles atleast 3 feet (0.9m) from the front of the fireplace and away from the sides and back.



WARNING:

Servicing should be done only while the fireplace is disconnected from the power supply circuit.

TABLE OF CONTENTS

Important Safety Instructions.....	4
Listing Approvals.....	5
Product Dimensions.....	6
Fireplace Location.....	7
Unpacking and Testing.....	8
Grounding Instructions.....	8
Installation.....	9
Installation of Designer Panel.....	10
Installation Checklist.....	14
Operating Instructions.....	15
Maintenance.....	16
Replacing Light Bulbs.....	17
Storage Instructions.....	19
Cleaning Instructions.....	19
Troubleshooting.....	20
Warranty.....	20



Stop and read this! Read all instructions before using this electric fireplace

IMPORTANT SAFETY INSTRUCTIONS

When using electrical appliances, basic precautions should always be followed to reduce the risk of fire, electrical shock, and injury to persons, including the following

1. Prior to plugging in your fireplace into an electrical outlet, verify that the house circuit breakers for the outlet are on.
2. The heater may emit a slight, harmless odor when first used. This odor is normal and it is caused by the initial heating of internal heater elements and will not occur again.
3. If your fireplace does not emit heat, consult the operation section of this manual for further information.
4. Use with a CSA or UL certified surge protector.
5. This heater is hot when in use. To avoid burns, do not let bare skin touch hot surfaces. Keep combustible materials, such as furniture, pillows, bedding, paper, clothing and curtains at least 3 feet (0.9m) from the front of the heater and keep them away from the sides and rear.
6. Extreme caution is necessary when any heater is used by or near children and whenever the heater is left operating and unattended.
7. Always unplug electric fireplace when not in use.
8. Do not operate any heater with a damaged cord, plug or after the heater malfunctions, has been dropped or damaged in any manner.
9. Return heater to authorized service facility for examination, electrical or mechanical adjustment, or repair.
10. Do not use outdoors.
11. This electric fireplace is not intended for use in bathrooms, laundry areas and similar indoor locations. Never locate electric fireplace where it may fall into a bathtub or other water container.
12. Do not run cord under carpeting. Do not cover cord with throw rugs, runners or the like. Arrange cord away from traffic area and where it will not be tripped over.
13. To disconnect electric fireplace, turn controls to "OFF" before removing plug from the outlet.
14. Connect to properly grounded outlets only.
15. Do not insert or allow foreign objects to enter any ventilation or exhaust opening as this may cause an electric shock or fire or damage the heater.
16. To prevent possible fire, do not block air intakes in any manner. Do not use on soft surfaces, like a bed, where opening may become blocked.
17. The electric fireplace has hot and arcing or sparking parts inside. Do not use it in areas where gasoline, paint or flammable liquids are used or stored.
18. Use this electric fireplace only as describe in this manual. Any other use not recommended by the manufacturer may cause fire, electric shock or injury persons.
19. Avoid the use of an extension cord because the extension cord may overheat and cause risk of fire. However, if you have to use extension cord, the cord should be No. 14AWG minimum size and rated not less than 1875 watts.
20. Always use properly grounded fused and polarized outlets.
21. Always use ground fault protection where required by electrical cords.
22. To prevent a possible fire, do not burn wood or other materials in this fireplace. To prevent electrical shock or fire, always hire a certified electrician should new circuits or outlets be required.
23. When transporting or storing this fireplace, keep in a dry place free from excessive vibration and store to avoid damage.



Stop and read this!

LISTING APPROVALS

This heater has been tested in accordance with the CSA Standards for fixed and location-dedicated electric room heaters in the United States and Canada. If you need assistance during installation, please contact your local dealer.

Model Number:	EF-DD2C
Description:	Semi-Circle Wooden Electric Fireplace
Voltage:	120V AC
Watts:	MAX 1500W
Amps:	15Amp Grounded Circuit
Length:	39.17"
Height:	28.54"
Depth:	7.59"

Fireplace

Net Weight:	44lbs
Gross Weight:	53.9lbs

Designer Panel

Net Weight:	20.24lbs
Gross Weight:	22.44lbs

Note: This heater must be electrically wired and grounded in accordance with local codes or, in the absence of local codes, with National Electric Code ANSI/NFPA 70- latest edition or the Canadian Electric Code CSA C22.1 as appropriate.

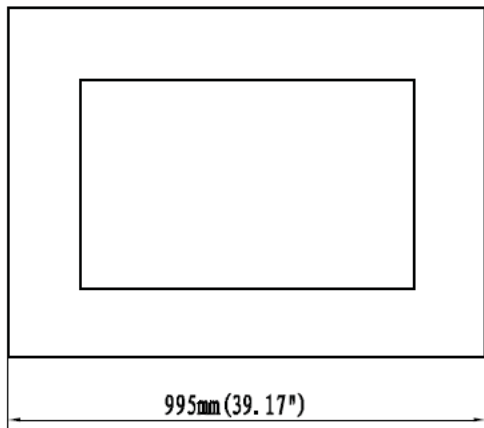


Stop and read this!

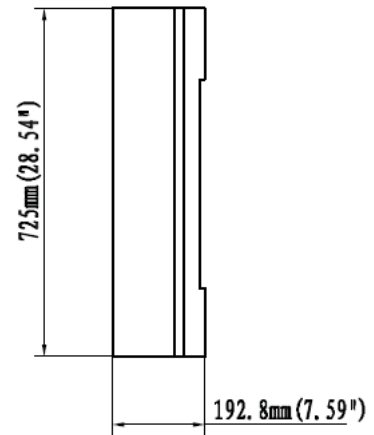
PRODUCT DIMENSIONS



TOP VIEW Heater vents
(DO NOT COVER)



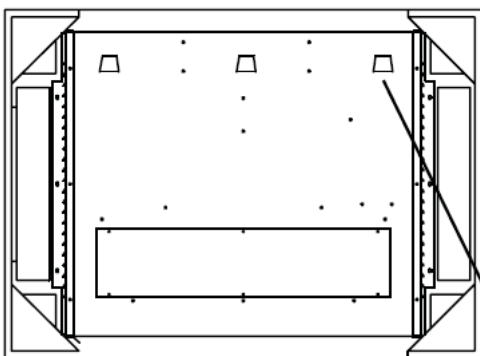
FRONT VIEW



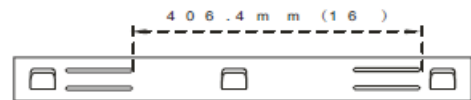
SIDE VIEW



BOTTOM VIEW



BACK VIEW Mounting holes



Mounting Bar

Figure 1
Fireplace Dimensions



Stop and read this!

FIREPLACE LOCATION



WARNING:

Due to high temperatures this electric fireplace should be located out of traffic. Keep combustible materials such as furniture, pillows, bedding, paper, clothing and curtains at least 3 feet (0.9m) from the front of the fireplace.



WARNING:

Never locate this electric fireplace where it may fall into a bathtub or other water container.



CAUTION:

Do not expose the electric fireplace to the elements (such as rain etc). Wear gloves and safety glasses for protection during installation and maintenance.



WARNING:

To prevent contact with sagging or loose insulation, the electric fireplace must not be installed against vapor barrier or exposed insulation. Localized overheating could occur and a fire could result.



Stop and read this!

UNPACKING AND TESTING FIREPLACE

Carefully remove the unit from the box. Prior to installing the unit, test to make sure the unit operates properly. To do this, plug the unit's power supply cord into a conveniently located 12-Volt grounded outlet.

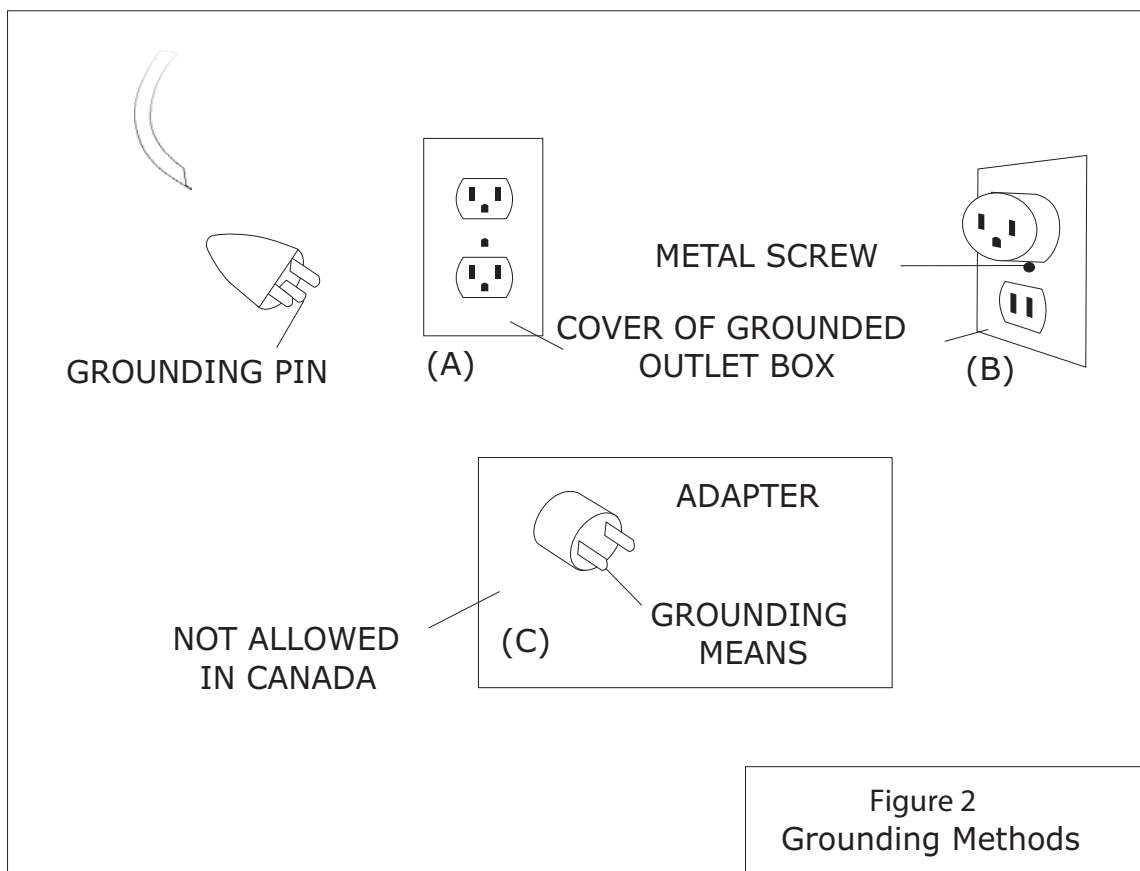


Stop and read this!

GROUNDING INSTRUCTIONS

This insert is for use on 120 Volts. The cord has a plug as shown in (A) of Figure 2 given below. An adapter as shown in (C) is available for connecting three-blade grounding-type plugs to two-slot receptacles. The green grounding plug extending from the adapter must be connected to a permanent ground such as a properly grounded outlet box. The adapter should not be used if a three-slot grounded receptacle is available.

To disconnect heater, turn controls to off, then remove the plug from outlet.





Stop and read this!

INSTALLATION



WARNING: RISK OF FIRE

The power cord must not be pinched or against a sharp edge. Secure cord to avoid tripping or snagging to reduce risk of fire, electric shock or personal injury. Do not run cord under carpeting. Do not cover cord with throw rugs, runner or the like. Arrange cord away from traffic area and where it will not be tripped over.



WARNING: RISK OF FIRE

To prevent a possible fire, do not block air intake or exhaust in any manner. Do not use on soft surfaces where openings may become blocked.



WARNING: RISK OF FIRE

Do not blow or place insulation against the fireplace.



WARNING:

This electric fireplace is tested and listed for use only with the approved optional accessories. Use of optional accessories not specifically tested for this electric fireplace could void the warranty and/or result in a safety hazard.



WARNING:

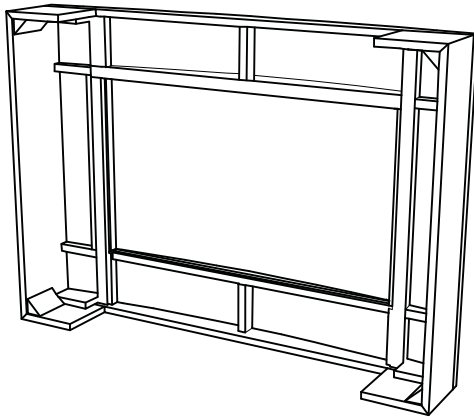
If the information in these instructions is not followed exactly, a fire or explosion may result causing property damage, personal injury or death. Do not store or use gasoline or other flammable vapors in the vicinity of this or any other heater.



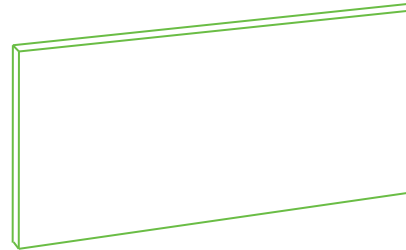
Stop and read this!

INSTALLATION of the designer panel

BACK VIEW

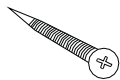


Designer Panel Includes

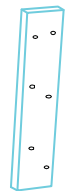


Flame Glass
1

Hardware Included



Screws
6 + 1

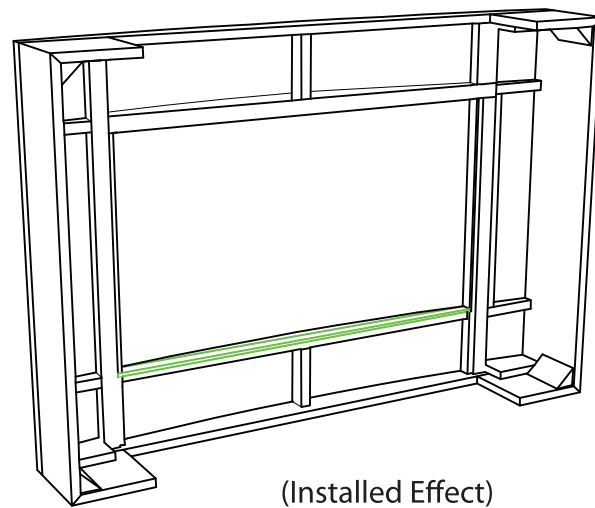
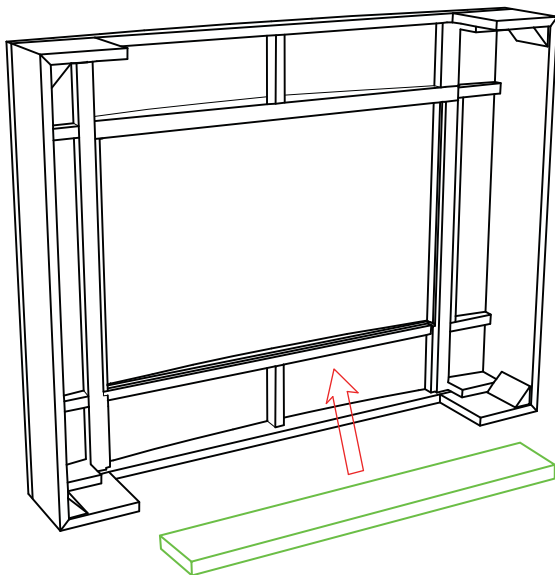


MDF Bar
2



Glass Bar
1

Step 1, Insert the small glass bar into the groove of frame

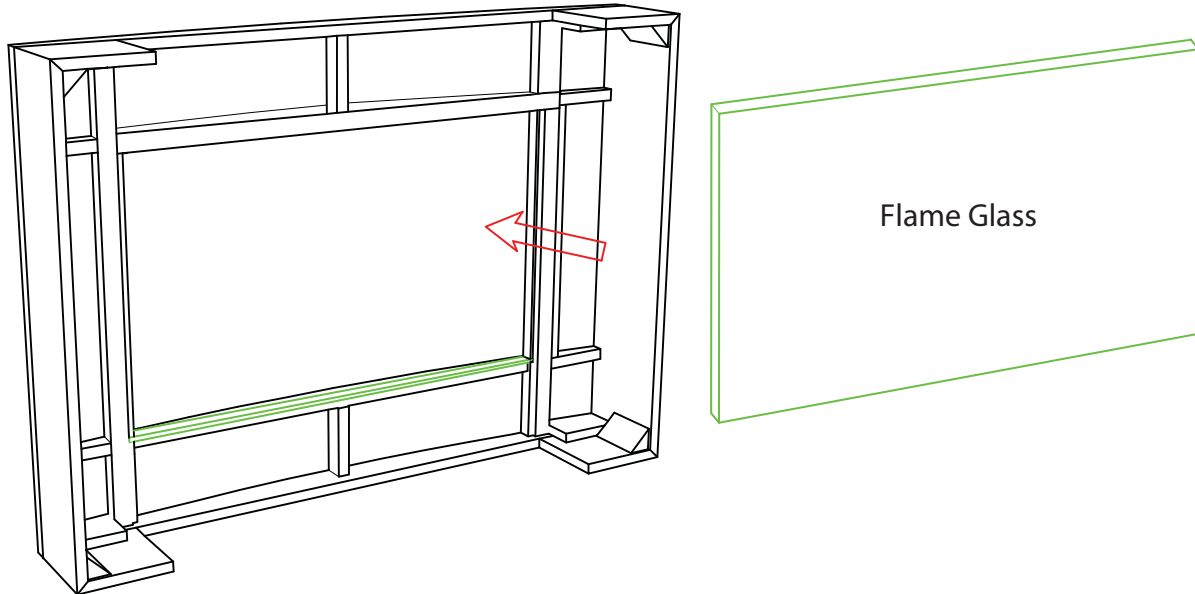




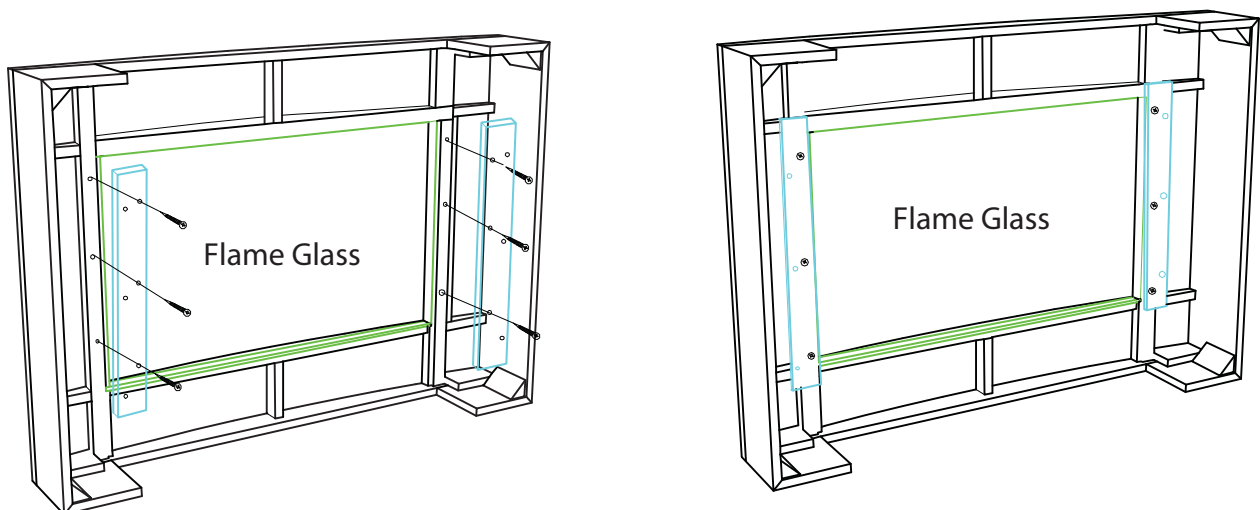
Stop and read this!

INSTALLATION of the designer panel

Step 2, Insert the glass into the groove of frame



Step 3, Attach two MDF bars into frame with six screws

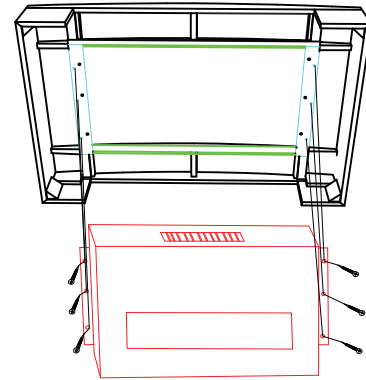




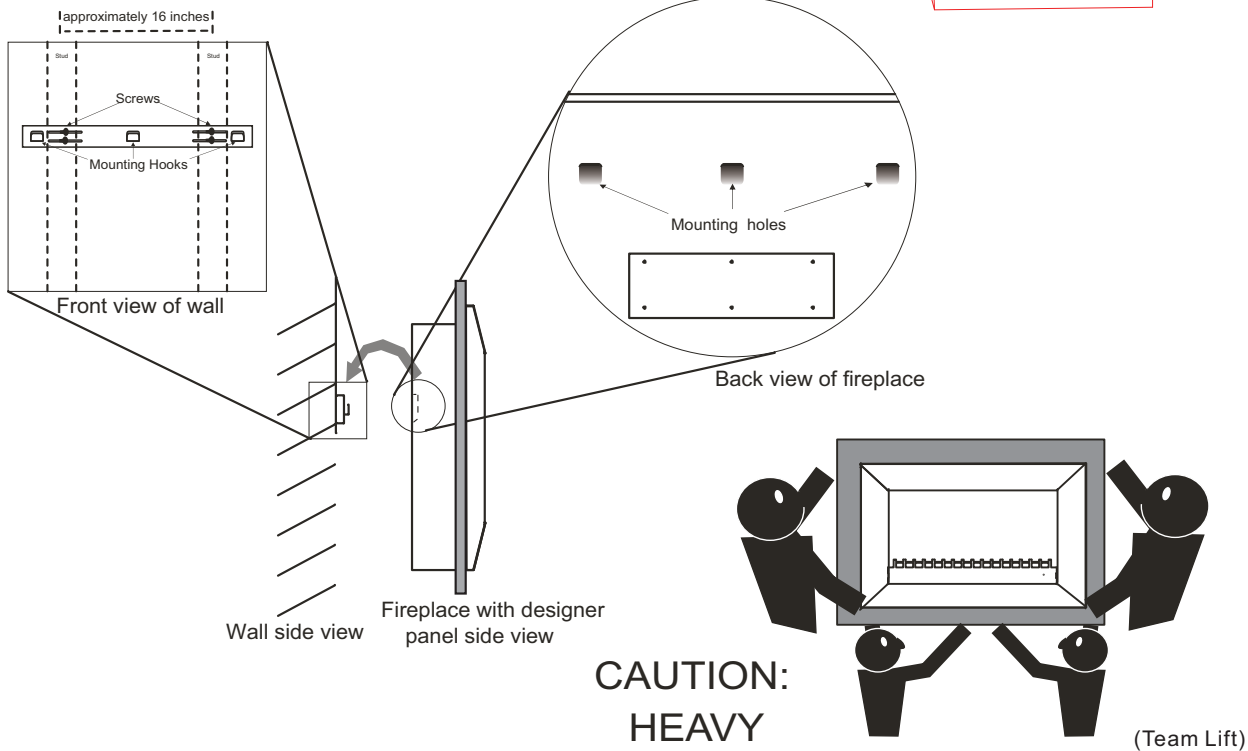
Stop and read this!

INSTALLATION

Step 4, Attach insert body into the finished frame with six screws



Step 5, Mounted DD2C onto the wall CAUTIOUSLY.



This fireplace must be mounted on a wall with a height above the floor between .5M (1.64 feet) and 2.5M (8.2 feet)

WARNING: Heater vents (See Figure 1, Page 6) on this electric fireplace cannot, in any way, be covered as it may create a fire hazard.

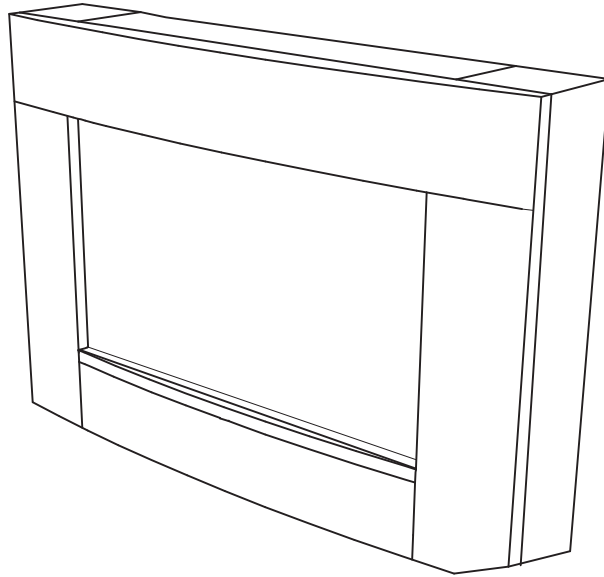
Due to the many different materials used on different walls, it is highly recommended that you consult your local hardware store to determine what type of mounting screws are needed before you install this fireplace onto the wall.



Stop and read this!

INSTALLATION of clear crystal

- 1 Mount fireplace to the wall (see instructions on page 12).



- 2 Cut open the bag of clear crystal and pour into your hand.

- 3 Pour the clear crystal on the ember bed against the mirrored glass. See Figure 1

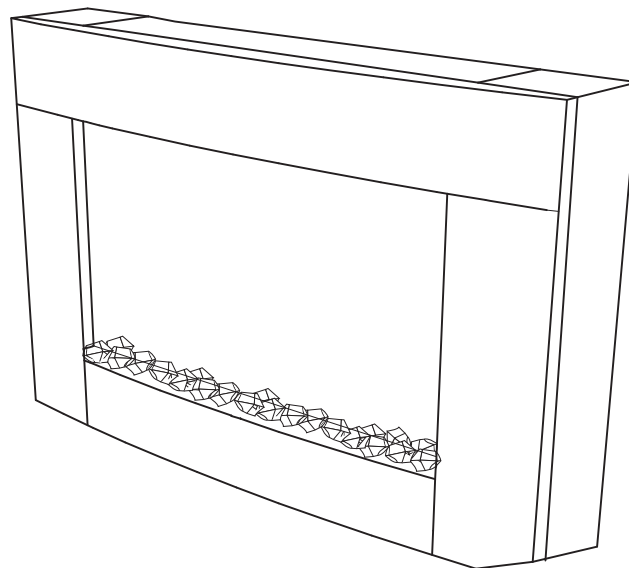


Figure 1



Stop and read this!

INSTALLATION CHECKLIST

- > Power supply service must be completed prior to finishing to avoid reconstruction.
- > Heater vents and air openings cannot be covered in any circumstances.



Stop and read this!

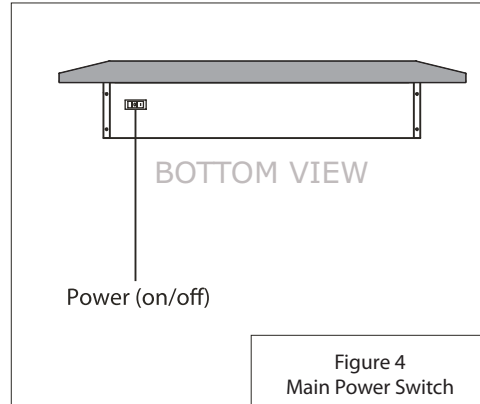
OPERATING INSTRUCTIONS

Once the unit has been properly connected to a grounded electrical outlet, it is ready to operate.

Note: Ensure the house circuit breakers for the power supply are turned on.

Main Power Switch:

The Main Power Switch is located on the bottom of the unit. Figure 4 illustrated the location of the switch. The “|” indicated ON and the “O” indicated OFF. Push the switch to “|” to turn on the unit and flame effect. The red LED indicator will be turned on.

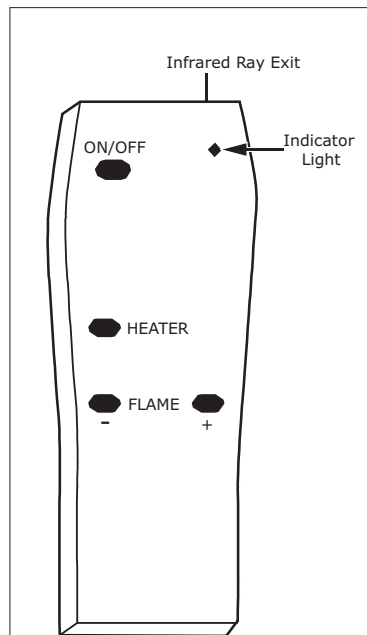




OPERATING INSTRUCTIONS

OPERATING BY REMOTE CONTROL

1. Plug in your electric fireplace.
2. Make sure the unit's Main Power ON/OFF Switch is at the ON position. The remote control will NOT work if the Main Power Switch is at the OFF position.
3. When operating the remote control, it must be pointed towards the front of the unit.
4. The ON/OFF button at the top left of the remote is the main ON/OFF power button (Figure 5). Pressing this button activates the power to the unit.
5. To activate the heater, press the HEATER button. Press and release the HEATER button to cycle through LOW, MED, HIGH and OFF. The heater has a built-in thermostat so it will shut off automatically once the pre-set temperature is reached. It will also turn on automatically if the room temperature drops below the pre-set temperature.
6. To adjust the flame height and ember bed brightness, press the FLAME+ or FLAME- buttons. To increase the flame height and ember bed brightness, press FLAME+ button, to decrease the flame height and ember bed brightness, press the FLAME- button. There are seven levels of flame effects.
7. To turn off the fireplace, press the ON/OFF button once. NOTICE: This remote control must remain within 8 meters or 26ft of the fireplace to be effective.



Note: Make sure your batteries are fully charged and installed correctly in your remote control.

Figure 5
Remote Control For
Electric Fireplace



MAINTENANCE

PREPARATION FOR MAINTENANCE:

WARNING: Always disconnect the power and allow the electric fireplace to cool completely before performing any cleaning, maintenance or relocation of this electric fireplace. Turn all controls to OFF and remove plug from outlet or turn off the house circuit breaker to electric fireplace receptacle.

Most halogen bulbs are rated to last approximately 1800 hours. Like all light bulbs, halogen bulbs require periodic replacement. When the bulbs in your unit have burned out you will notice one or more of the following:

Common Observed Problems:

- There is no flame
- Flame is dim or dark in certain areas
- Flame is not moving or glowing
- Ember bed is dim or dark in certain areas

Your fireplace unit must be open in order to replace the light bulbs. To reduce the number of times you need to open the unit, replace all bulbs at the same time if they are all close to the end of their rated life.

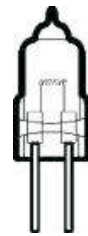
There are a total of 12 halogen light bulbs (Type GX6.35, rated 120Volts, 35Watts) in your unit:

- 2 bulbs provide illumination for the ember bed
- 4 bulbs provide illumination for flame generation
- 6 extra bulbs for replacement

WARNING: Do not install replacement bulbs that exceed specified maximum watts.

WARNING: The halogen light bulbs in your unit can become extremely hot. Allow at least 10 minutes between turning off the heater and removing the light bulbs to avoid accidental burns.

Bulb Type:
GX6.35, 120V, 35W
Maximum



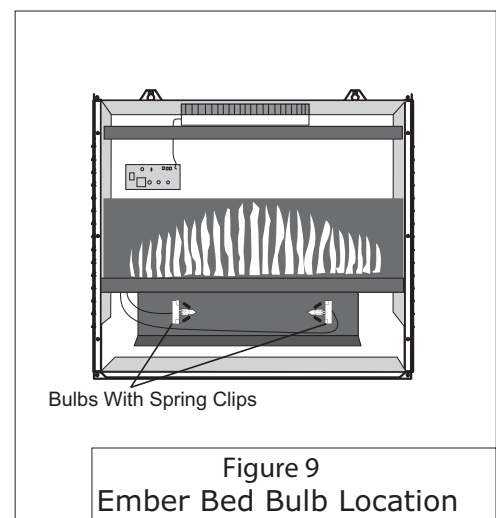
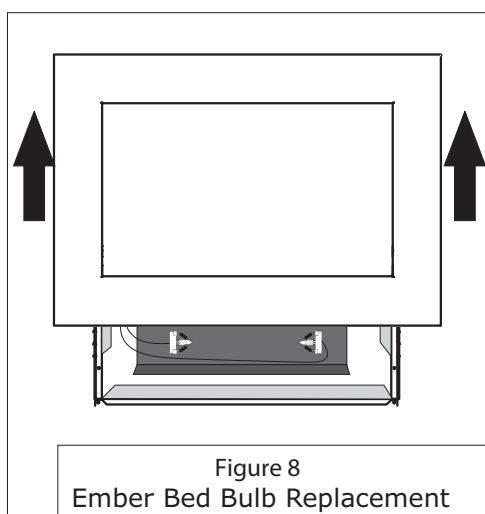
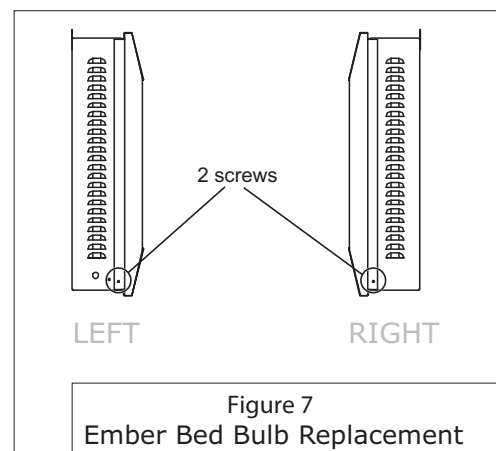
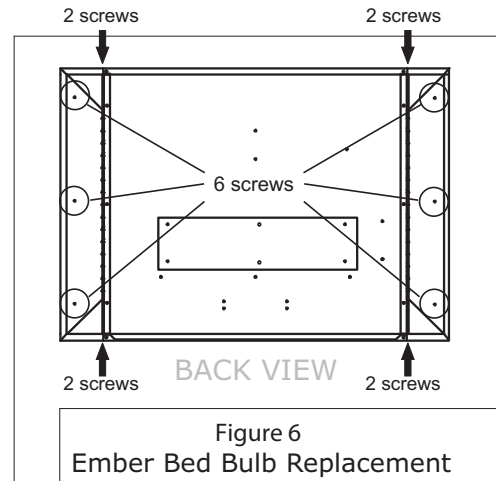
12 pcs included



REPLACING LIGHT BULBS

Replacing the Ember Bed Light Bulbs:

1. Remove the 4 screws on the top, 4 screws on the bottom, and 6 screws on both sides of the unit (Figure 6). Remove the side plates. (Note: Side plates are optional accessories. If your unit does not come with side plates, proceed directly to step 2 below).
2. Remove the 2 screws on the bottom left and right corner of the unit behind the front panel (Figure 7).
3. Lift up and remove the front panel of the unit (Figure 8).
4. Locate the 2 ember bed bulbs as shown in Figure 9.
5. Remove spring clip. Hold socket and pull out old bulb (Figure 12B, Page 16).
6. Hold socket and push in new bulb (DO NOT exceed wattage). Reattach spring clip.
7. Repeat steps 5 and 6 for the second bulb if necessary.
8. Replace the front panel, side panels and screws.





REPLACING LIGHT BULBS

Replacing the Flame Generation Light Bulbs:

1. Remove the 6 screws on the back plate of the unit near the bottom (Figure 10). Open back plate from the top.
2. Locate the flame generation cylinder drum. It is attached to the inside of the back plate. They are 2 matte black sheet metal pieces with holes in them, either of which can be removed from the unit (Figure 11)
3. Remove the screw as shown in Figure 11 that is used to secure the flame generation cylinder drum.
4. Squeeze half of drum cylinder until its top edge clears the top drum track. Remove the bottom edge of the cylinder drum from the bottom drum track (Figure 12A). This will give you access to the light bulbs. Note: Do not exert excessive pressure on the drum cylinder as this may cause damage.
5. Remove spring clip. Hold socket and pull out old bulb. (Figure 12B)
6. Hold socket and push in new bulb (DO NOT exceed wattage) Reattach spring clip.
7. Repeat steps 5 and 6 for the second, third and fourth bulb if necessary.
8. Replace the back plate by reattaching the 6 screws that were removed from Step 1.

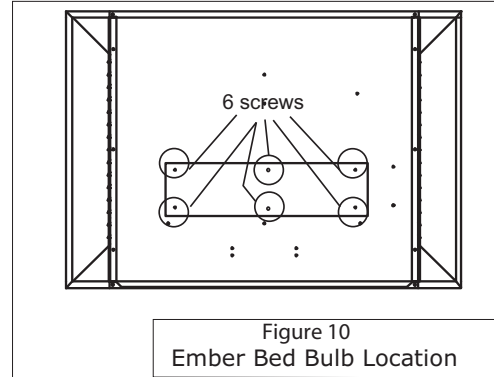


Figure 10
Ember Bed Bulb Location

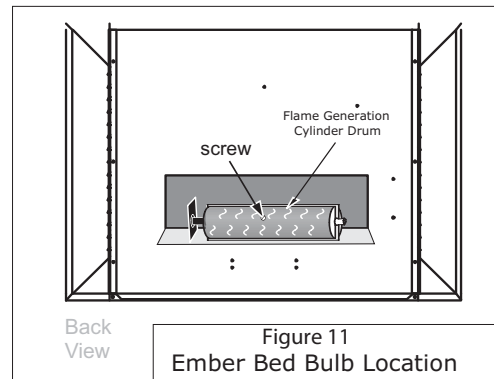


Figure 11
Ember Bed Bulb Location

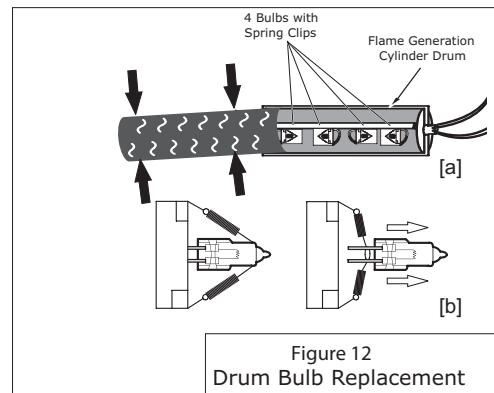


Figure 12
Drum Bulb Replacement



STORAGE INSTRUCTIONS

WARNING: Ensure the power cord is not installed so that it is pinched or against a sharp edge and ensure that the power cord is stored or secured to avoid tripping or snagging to reduce the risk of fire electric shock or injury to persons.

Construction and electrical outlet wiring must comply with local building codes and other applicable regulations to reduce the risk of fire, electrical shock and injury to persons.

Do not attempt to wire your own new outlets or circuits. To reduce the risk of fire, electric shock or injury to persons, always use a licenced electrician.



CLEANING INSTRUCTIONS

GLASS CLEANING:

The glass is cleaned in the factory during assembly operation. During the shipment, installation, handling, etc., the glass may collect dust particles, these can be removed by dusting lightly with a clean dry cloth.

To remove fingerprints or other marks, the glass can be cleaned with a damp cloth. To prevent scratching, do not use abrasive cleaners or spray liquids on the glass surface.

FIREPLACE SURFACE CLEANING:

Use a cloth dampened with warm water only to clean painted surfaces of the electric fireplace. Do not use abrasive cleaners.



TROUBLESHOOTING

WARNING: Turn off the fireplace competely and let cool before servicing

OBSERVED PROBLEM	POSSIBLE CAUSE	POSSIBLE CAUSE
Dim or no flame.	1. Bulb(s) are burnt out.	1. Inspect the bulbs inside the flame generation cylinder drum and replace them if necessary.
Ember bed is not glowing or dimming.	1. Bulb(s) are burnt out.	1. Insert the ember bed bulbs and replace them if necessary.
No warm air is coming out of the heater. Heat doesnt turn on when it is set to Low setting.	Room temperature is higher than the heater setting (if it is set to LOW or MED)	1. Set heater to a higher temperature setting (MED or HIGH).
Fireplace turns off and will not turn on.	1. Fireplace has over heated and safety device has caused the thermal switch to disconnect. 2. House circuit breaker has tripped.	1. Unplug the unit, allow heater to cool for 10 minutes, then plug it back in. 2. Reset house circuit breaker.
Fireplace will not come on when switch is flipped to ON.	1. Fireplace is not plugged in. 2. Fireplace has overheated and safety device has caused the thermal switch to disconnect.	1. Check plug and plug it in. 2. Unplug the unit, allow heater to cool for 10 minutes, then plug it back in.
Remote control does not work.	1. Low batteries	1. Replace AA batteries in remote control.

Paramount

1 YEAR LIMITED WARRANTY

IMPORTANT

Only return this product to the store if it was purchased within 90 days. If you have problems after 90 days of purchase, please email our customer service department for any questions or concerns: parts@jrhome.com OR CALL 1-800-561-5550. DATED PROOF OF PURCHASE REQUIRED FOR WARRANTY SERVICE.

WARRANTY

This product is inspected, tested and carefully packaged to minimize the chance of damage during shipment. If a part (excluding light bulbs and fuses*) within one year from the date of purchase proves to be defective in material or fabrication under normal use, the part will be repaired or replaced. The Company's obligation under the warranty is to replace or repair defective parts at our discretion. Any expenses or damage resulting from the installation, removal or transportation of the product will the responsibility of the owner and are not covered by this warranty. The owner assumes all other risks arising out from the use or misuse of the product. The warranty will be void if the product damage or failure is deemed by the Company to be caused by accident, alteration, misuse, abuse, incorrect installation or removal, or connection to an incorrect power source by the owner. The Company neither assumes, nor authorizes any person or entity to assume for it any obligation or liability associated with its products. * Light bulbs and fuses are not covered under this warranty. If you have any questions regarding the warranty or service, please call our toll free number: 1-800-561-5550.

Customer Service / Imported by:

JR Home Products
Unit 1 - 5628 Riverbend Drive
Burnaby, BC
Toll Free: 1-800-561-5550
E-mail: parts@jrhome.com