

Paramount

Wood Mantel Assembly Instructions

Owner's Manual

Model #: EF-ES-GB3C / EF-ES-GB3W

Insert Sold Separately



READ & SAVE THESE INSTRUCTIONS

Carefully read and review before assembling, installing, operating or maintaining this product. Observe all safety instructions and information.

FAILURE TO FOLLOW WARNINGS & OPERATIONAL INSTRUCTIONS CONTAINED IN THIS MANUAL CAN RESULT IN PROPERTY DAMAGE OR PERSONAL INJURY.

****IMPORTANT NOTICE****

Please contact our toll free hotline:

1-800-561-5550

parts@jrhome.com

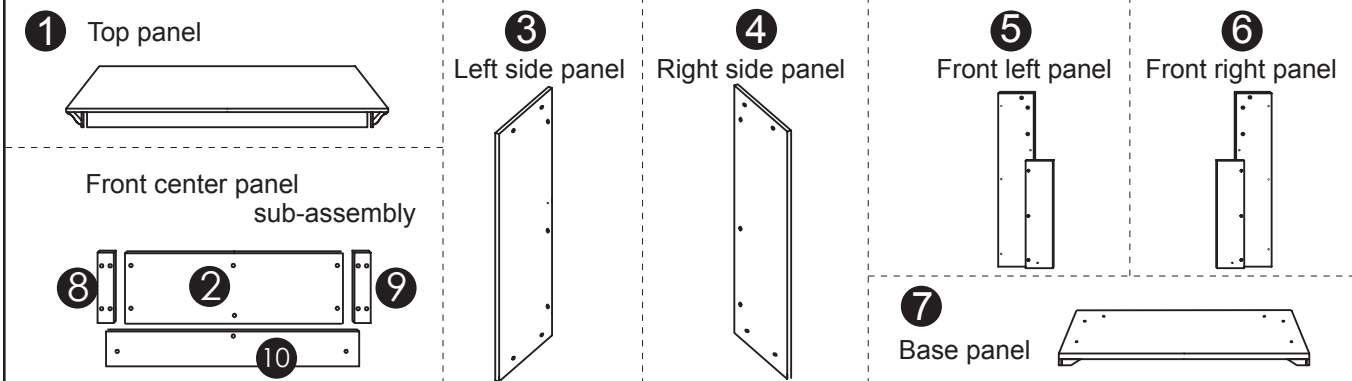
For customer service & warranty issues





PARTS LIST

Wood Mantel Includes



Hardware Included



WARNING:

Do not move insert while operating

IMPORTANT NOTICE

Do not return this product to the store. Please call our customer service department for any questions or concerns

1-800-561-5550
parts@jrhome.com

Dated proof of purchase required for warranty service.



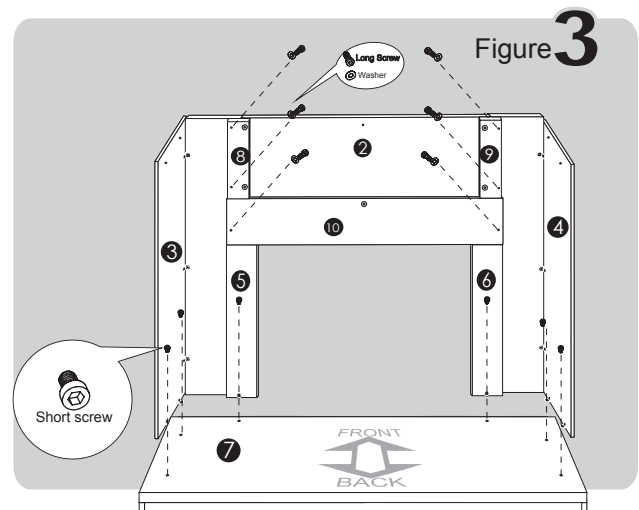
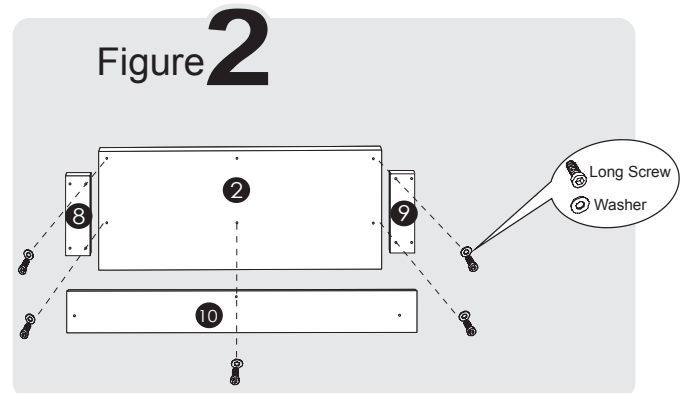
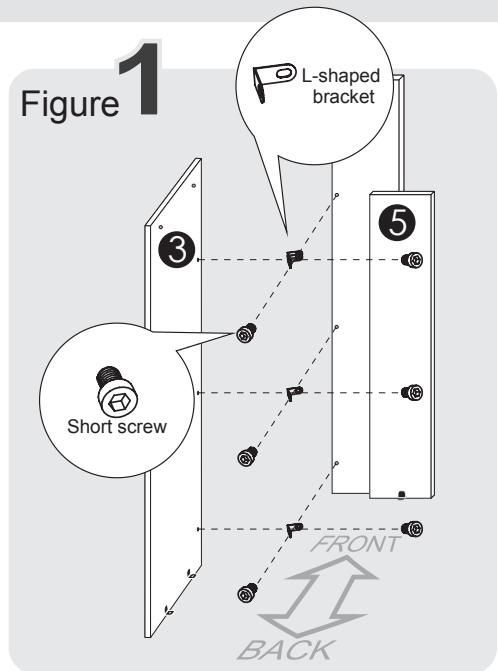
Imported by
JR HOME
1306 Ketch Court
Coquitlam, BC
V3K 6W1
Imported for Home Depot Canada



ASSEMBLY INSTRUCTIONS

Notice: Use the supplied allen wrench to secure all short and long screws.

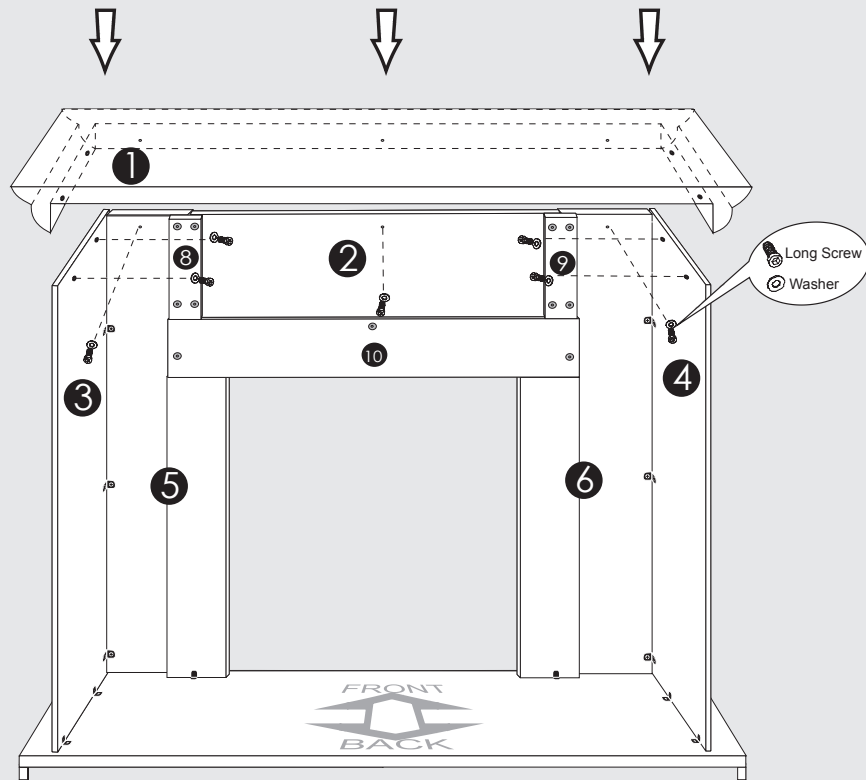
1. Attach 5 L-shaped brackets to the inside of the left side panel (3) with the five short screws (Figure 1). Repeat the same procedure for the right side panel (4) accordingly.
2. Attach 1 L-shaped bracket to the bottom of the front left panel (5) with 1 short screw (Figure 1). Repeat the same procedure for the front right panel (6) accordingly.
3. Attach the left side panel (3) to the front left panel (5) by securing 3 short screws through the 3 L-shaped brackets (Figure 1). Repeat the same procedure for the right panel (4) and the front right panel (6) accordingly.
4. Attach the little front left panel (8) to the top half front panel (2) by using 2 washers and 2 long screws (Figure 2). Repeat the same procedure to attach the little front right panel (9) to the top half front panel (2) accordingly.
5. Attach the bottom half front panel (10) to the top half front panel (2) by using 1 washer and 1 long screw in the middle (Figure 2)
6. Connect the finished left panel assembly (3)(5) with the base panel by securing 3 short screws through 3 L-shaped brackets (Figure 3) at the bottom. Repeat the same procedure for the front right panel (6) accordingly.
7. Attach the finished front panel sub assembly (2)(8)(9)(10) to the front left panel (5) by using 3 washers and 3 long screws (Figure 3). repeat the same procedure for the front right panel (6) accordingly.
8. Set the top panel (1) onto the finished mantel assembly and make sure it is snugly fit (Figure 4).
9. Attach the top panel (1) to the front panel (2) by using 1 washer and 1 long screw (Figure 4).
10. Attach the top panel (1) to the left side panel (3) by using 2 washers and 2 long screws (Figure 4). Repeat the same procedure for the right side panel (4) accordingly.





ASSEMBLY INSTRUCTIONS

Figure 4



Positioning the unit against the wall

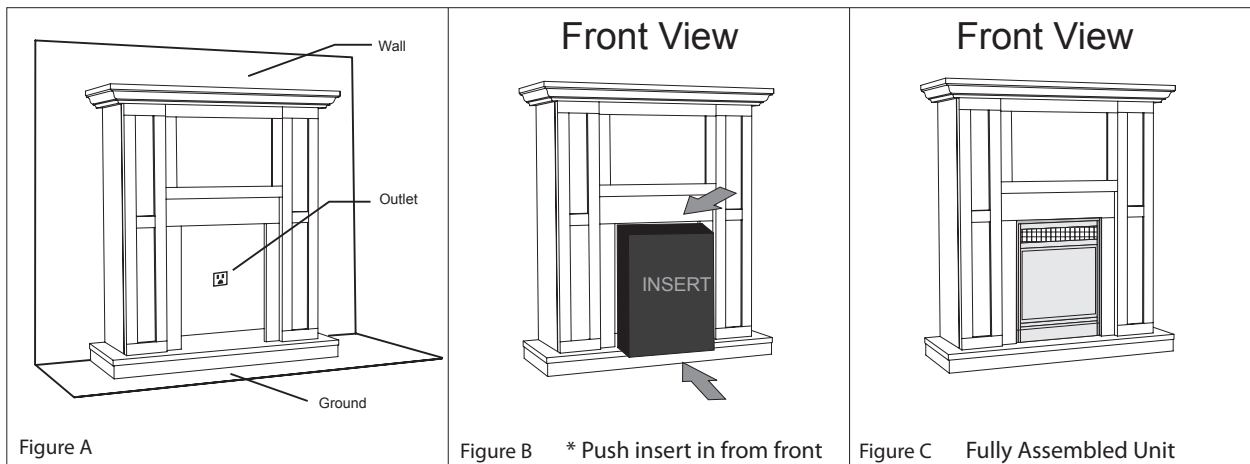


Figure A

Figure B * Push insert in from front

Figure C Fully Assembled Unit



WARNING!

WARNING: Please leave a gap a minimum of one inch between the wall and mantel so the power cord can move freely.