

Paramount

Stationary Infrared Electric Pole Mount Patio Heater

Model #: MS-1500W0IRPH
LIP-15-TGG-SP



IMPORTANT: Read this manual before operating this unit and follow all instructions.

FAILURE TO FOLLOW WARNINGS & OPERATIONAL INSTRUCTIONS CONTAINED IN THIS MANUAL
CAN RESULT IN SEVERE PROPERTY DAMAGE AND/ OR PERSONAL INJURY



Safety Guidelines

Read this manual carefully for guidance on the assembly and use of this product.

DANGER

Indicates a potentially hazardous situation which, if not avoided, WILL result in serious injury or death.

WARNING

Indicates a potentially hazardous situation, if not avoided, COULD result in serious injury or death.

CAUTION

Indicates a potentially hazardous situation which, if not avoided, MAY cause moderate injury or damage to the equipment.

NOTICE:

Indicated important information that if not followed, may cause damage to the equipment.

DANGER

1



Risk of Fire. There is always a risk of fire when working with a heater. Keep heater away a minimum of 25 ft. from flammable liquids and materials.



2. **Risk of Fire.** Do not use the unit until it has been mounted to the ground. If the unit falls on the ground, it may start a fire. Ensure that the heater is placed is stable and is placed on a level surface and mounted in place. Follow instructions above and also for further prevention, keep this unit at least 3 feet (.9m) clear from any objects.



3. **Hot or Burn Hazard.** This unit may be extremely hot while in use. Careful when handling especially around the head of the unit.



4. **Electrical Hazard.** Disconnect from electrical outlet before working on the unit to avoid chance of electrical shock.



5. **Electric Shock.** Do not use near water. Do not use if cord has been damaged.

CAUTION

- Improper treatment of the heater can damage it and also shorten its life span.
- To prevent electrical shock, ensure electrical plug is properly inserted into the electrical outlet.
- Unit is hot when operating keep at least 3' away from everything. Do not place any objects such as furniture, papers, clothing or curtains closer than 3' to the front and sides of the heater.

Overview

The Patio Heater

Tilt Switch Blade Box

Head / Heating Unit



Head Post/ Telescope Body

Bottom Stand Pole

Base

Mounting holes

Parts List –

Head/Heating Unit - 120 Volt (AC)/1500 Watt electric heater with rotating head and safety grill.



Bottom Stand Pole - supports this lightweight heater. Electrical cord runs inside this pole.

Base - supports the unit. Mount securely on surface.

Head Post / Telescope Body – Adjusts height and direction of heat emission.



Mount to ground.

Bracket -



x 1

Screws –



x 2



x 15

IMPORTANT INSTRUCTIONS

1. Read all instructions before using this heater.
2. This head (heating element) will get very hot while in use. To avoid burning, do not let bare skin touch the hot surfaces. If provided, use handles when moving this heater. Keep flammable materials, such as furniture, pillows, bedding, papers cloths, and curtains at least 3 feet (0.9m) from the heater.
3. **DO NOT LEAVE** the heater unattended. Extreme caution is necessary when any heater is used by, or near, children or disabled persons, and whenever the heater is left operating and unattended
4. Always unplug heater when not in use.
5. Do not operate any heater with a damaged cord or plug, if the heater malfunctions, or has been dropped or damaged in any manner. Return heater to authorized service facility for repairs.
6. Operate 3 feet (0.9m) from people or objects.
FOR OUTDOOR USE ONLY
7. Never operate heater near water or where it can be knocked over.
8. Do not run cord under carpeting. Do not cover cord with throw rugs, runners, or similar coverings. Arrange cord away from traffic area and where it will not be tripped over.
9. Connect to properly grounded outlets only.
10. Do not use near flammable materials. Do not use it in areas where gasoline, paint, or flammable liquids are used or stored.
11. Use this heater only as described in this manual. Any other use not recommended by the manufacturer may cause fire, electrical shock, or injury to persons.
12. Avoid the use of an extension cord because the extension cord may overheat and cause a risk of fire. However, if you have to use an extension cord, use either a 12 or 14 gauge wire which is rated not less then 1900 watts. The recommended length for a 14 gauge is 0-50 feet, but if need be long use a 12 gauge no longer then 100 feet.
13. Only one infrared heater suggested per household. Special wiring required if more than one heater is needed.
14. **SAVE THESE INSTRUCTIONS** for future reference.

Assembly – Head Unit (Heating Element)

Tip: Do not tighten screws until assembly of unit is complete.

1. After taking the unit out of the box, put tilt switch on bracket.

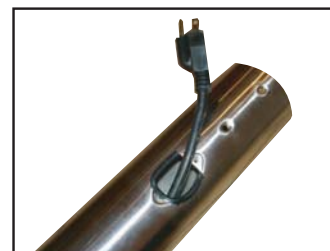
Tip: Keep head unit in styrofoam casing to protect from damage while assembling.



2. Put bracket with tilt switch to heating unit



3. Place head post on bracket , keep pulling the cord in the through the post.
4. Next place the head of the unit on to the telescope body. Keep pulling the cord through the bottom hole.
5. Slide the cord all the way down to the bottom of the body and pull it out the special hole on the side.



Assembly *(continued)*

6. Pick up the body now with the head on it and stand it in the base. Line it up in the screw holes and put the screws in.



7. For added safety, install the heater head angle restrictor using 4 bolts. This restricts the maximum angle the heater head can be turned. The safety arms act as a deflector to prevent contact of any flammable material and the heater head.



8. Find any flat area to support the unit squarely so it cannot be tipped over. Ensure no flammable materials can come in contact. Mount the unit securely to the ground using the provided mounting hardware.

offset stainless steel
mounting pole

Operations

12.5amps

120 volts

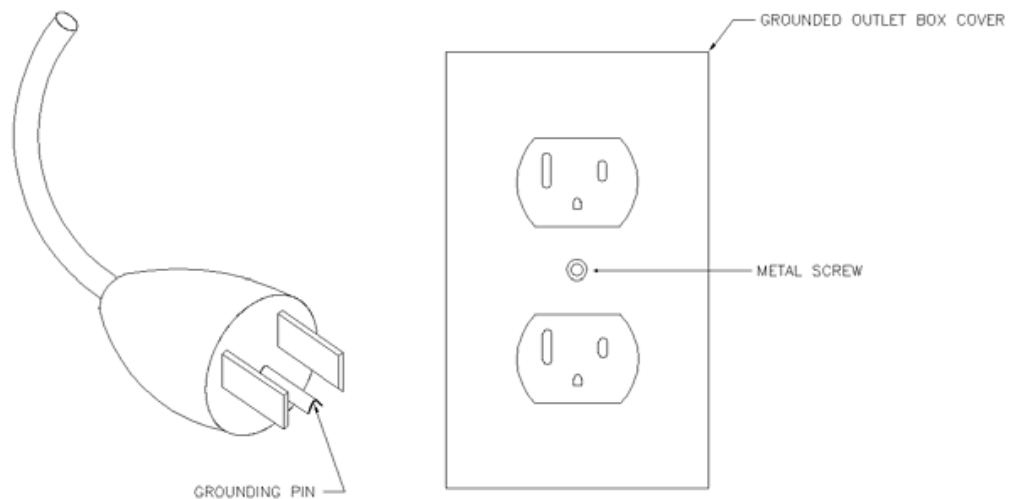
1500 watts

Model: MS-1500W0IRPH / LIP-15-TGG-SP

J&R Home Products Ltd.

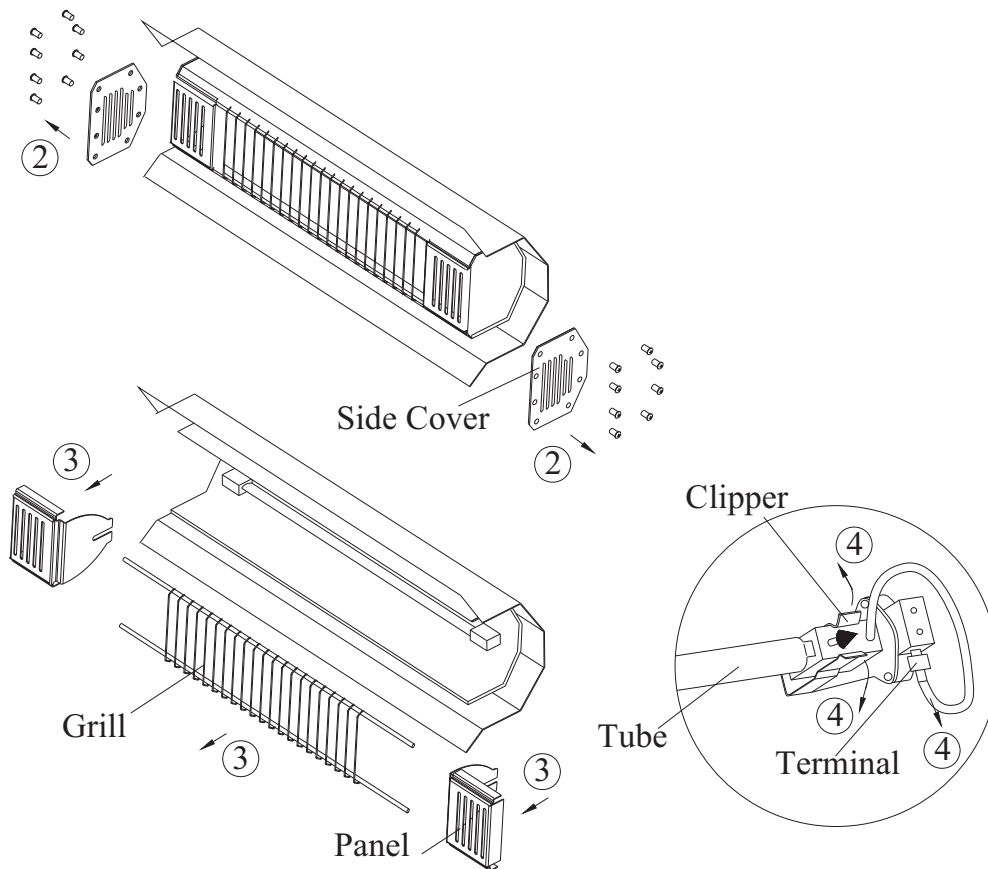
Grounding Instructions

The infrared electric patio heater comes equipped with a cord with an appropriate plug. The plug must be used with an outlet that has been installed and grounded in accordance with all local codes and ordinances. Make sure that the infrared electric patio heater is connected to an outlet having the same configuration as the plug (see illustration). Do not use an adapter with this product. Check with a licensed electrician if the grounding instructions are not understood completely or if the wall outlet does not match the plug.



Heating Tube: Installation/Replacement

1. Remove power cord from power socket, make sure heater has no power connection.
2. Use screw driver to take off side covers (shown in diagram ref. 2).
3. Remove panels and grill protector (diagram, ref. 3).
4. Remove tube from both terminals (on either side) (diagram, ref. 4).
5. Insert new tube into clipper and plug in both terminals. Make sure there are no metal parts around or touching the heating tube.
6. Turn power on to check the newly placed heating tube. Then put back grill and both panels, screwing on both side covers.
7. Store in a safe place were the unit won't get damaged or broken.



Troubleshooting

Problem	Probable Cause	Solution
Heating tube will not light	No power	Check plug connection with power outlet
	Heating tube is damaged	Replace with new heating tube
	Tilt switch not connected	Keep body vertical
	Tilt switch is damaged	Replace new limit switch
	Loose connection	Check and tighten connections
Heating element glows unevenly from end to end.		Check if heater head is leveled.

Warranty

Our products have been manufactured under the highest standards of quality and workmanship.

We warrant to the original consumer purchase that all aspects of this product will be free of defects in material and workmanship for one (1) year from the date of purchase.

A replacement for any defective part will be supplied free of charge for installation by the consumer.

This warranty is valid for the original consumer purchaser only and excludes product abuse, or product misuse, whether performed by a contractor, service company, or consumer.

We will not be responsible for labor charges and/or damage incurred in installation, repair or replacement, nor for incidental or consequential damage.

This warranty gives you specific legal rights and you may also have other rights which may vary from state, province to province, and nation to nation. If you are not satisfied with the performance or the quality of this product, the valid refund period is 30 days after the date of purchase. Any return after this period will not be allowed. You may call us or simply write to us using the address below. Explain the defect and include proof of purchase and your name, address and telephone number. We will advise you of the procedure to follow in making warranty claim.

J&R Home Products Ltd.

Unit 1-5628 Riverbend Drive Burnaby, BC V3N 0C1

1-800-561-5550