


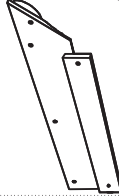
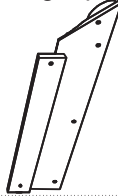

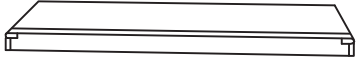
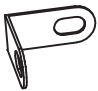


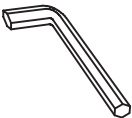





WOOD MANTEL ASSEMBLY INSTRUCTIONS



Save this manual for future reference

Warning: Do not move insert while operating.

Wood Mantel Includes								
<p>1 Top panel</p> 	<p>4 Left side panel</p> 	<p>5 Right side panel</p> 	<p>2 Front left panel</p> 	<p>3 Front right panel</p> 	<p>6 Front center panel sub-assembly</p> 			<p>7 Base panel</p> 
Hardware Included								
 <p>L-shaped bracket 6 + 1 spare</p>	 <p>Short screw 12 + 2 spare</p>	 <p>Long screw 21 + 1 spare</p>	 <p>Allen Wrench 1pc</p>	 <p>Washer 21 + 1 spare</p>	 <p>Short Block 2 pc</p>	 <p>Long Block 2 pc</p>		

Assembly Instructions

Notice: Use the supplied allen wrench to secure all short & long screws.

1) Attach two L-shaped brackets to the bottom of the side panel ④ with two short allen bolts. Attach one L-shaped bracket to the bottom of the left front panel ②. Repeat the same procedure for the right side panel ⑤ and right front panel ③ accordingly. (Figure 1)

2) Attach side panel ④ to left panel ② by securing three long allen screws through three washers (Figure 1). Repeat same procedure for the right side panels and the front right panel ③ accordingly. (Figure 1)

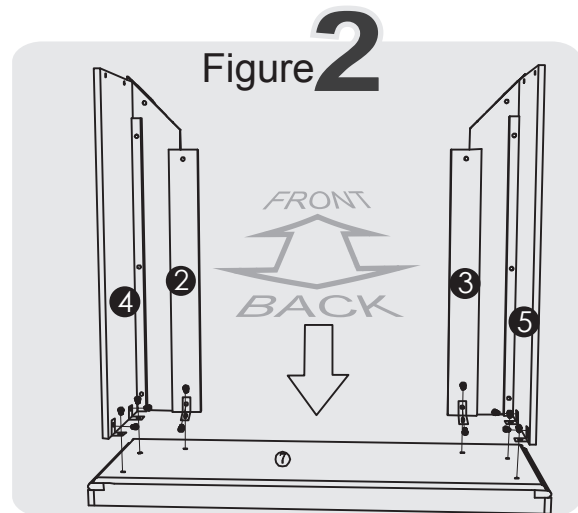
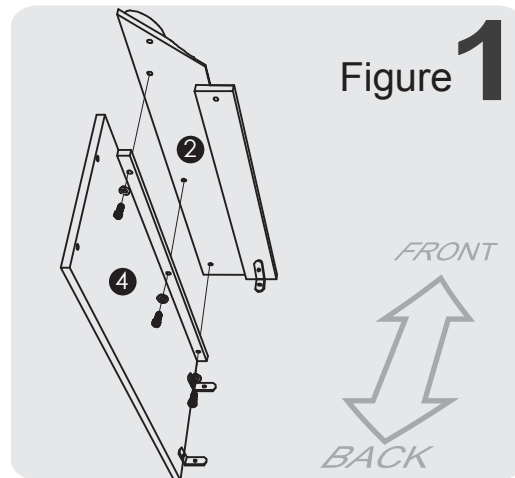
3) Connect the finished panel ② & ④ to the bottom panel ⑦ by securing three short allen screws through three L-shaped brackets. Repeat the same procedure to connect the panel ③ & ⑤ to the bottom panel ⑦. (Figure 2)

4) Connect front center panel ⑥ to front side panel ② & ③ by using two short blocks and two longer blocks through eight long allen screws and eight washers. (Figure 3 & Figure 4)

5) Set the top panel ① onto the finished mantel assembly and make sure it is fit. Attach top panel ① to front center panel ⑥ by using three long screws and three washers. (Figure 5).

6) Attach top panel ① to the side panel ④ by using two long screws and two washers. Repeat the same procedure for the side panel ⑤ accordingly. (Figure 5)

7) Use supplied allen wrench to tight all the screws.



***ADULT ASSEMBLY REQUIRED DUE TO THE PRESENCE OF SMALL PARTS, SHARP POINTS AND SHARP EDGES**

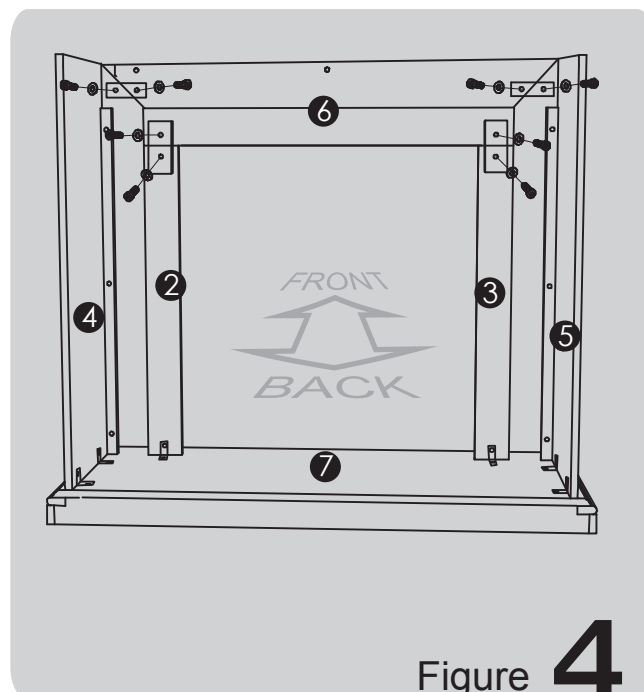
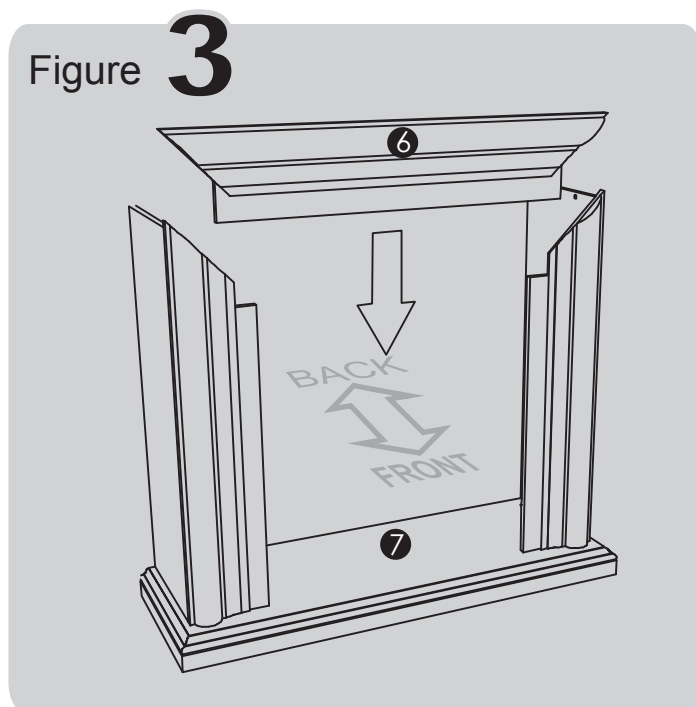
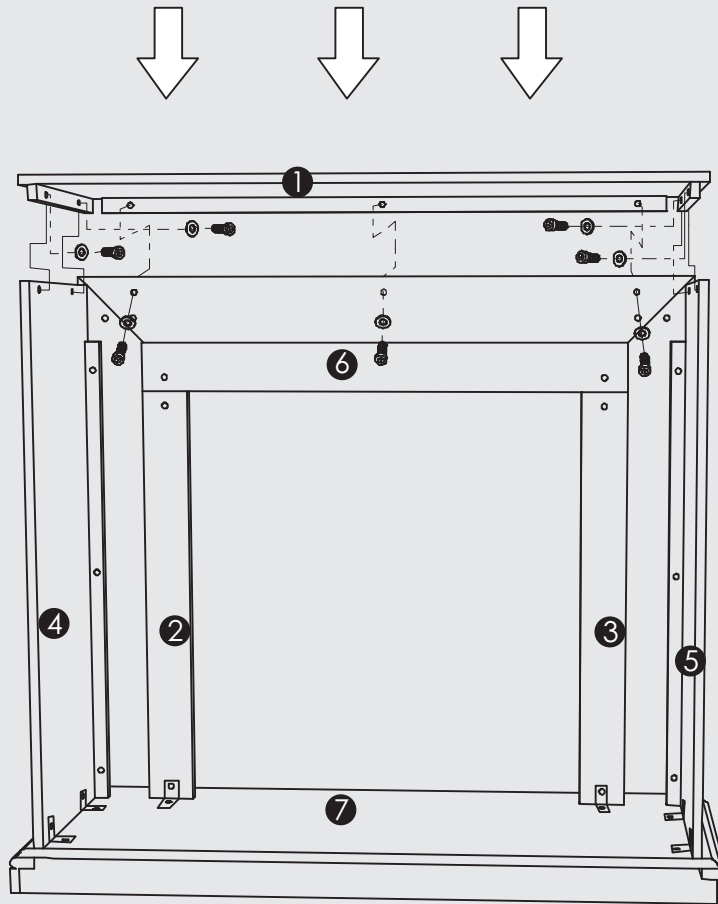
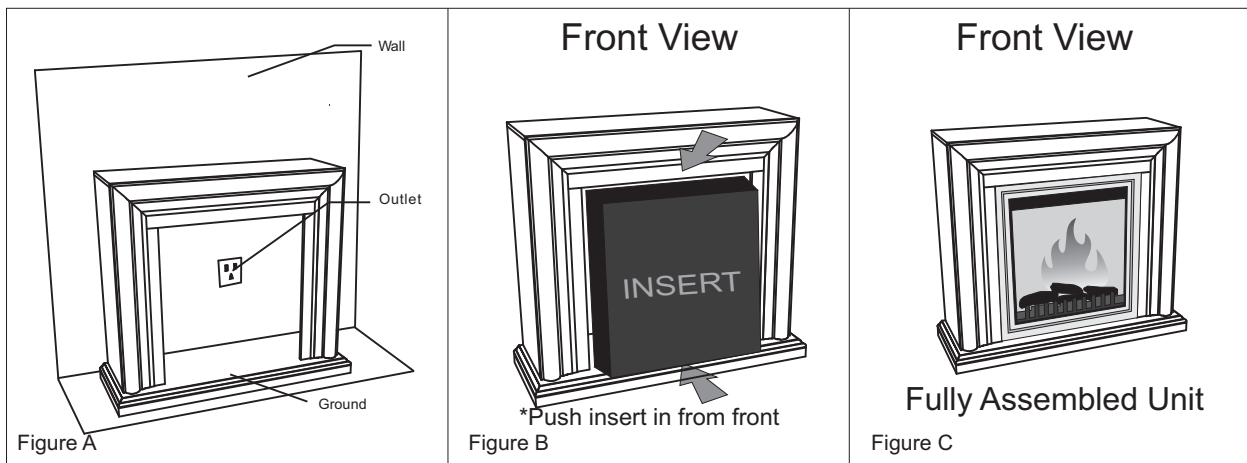


Figure 3



Positioning The Unit Against The Wall



WARNING

Please leave a gap of minimum 1 inch between the wall and mantel so the power cord can move freely.

IMPORTANT

Do not return this product to the store. Please call our customer service department for any questions or concerns:

1-800-561-5550

**Monday to Friday
9:00AM to 5:00PM P.S.T.**

DATED PROOF OF PURCHASE REQUIRED FOR WARRANTY SERVICE.

If you have any questions regarding the warranty or service, please email: parts@jrhome.com