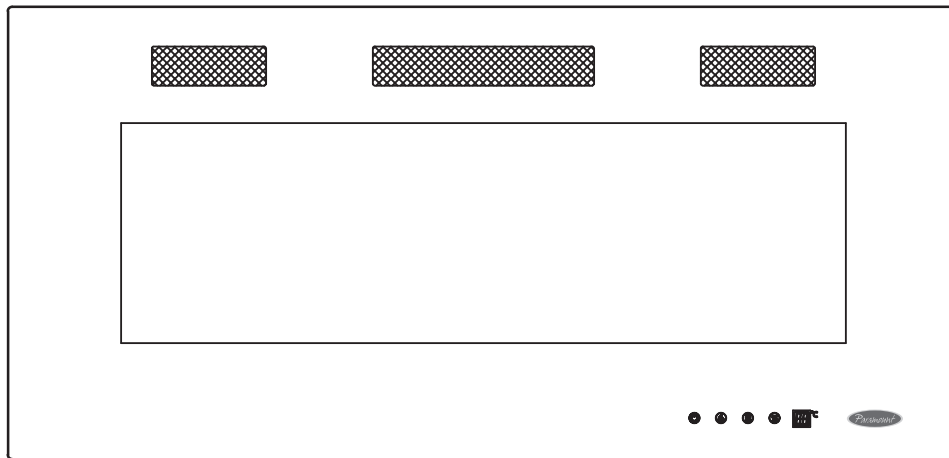


Paramount



Wall Mount Fireplace

With Adjustable Mounting Bracket



Owner's Manual

**Patented Flame Technology & Front Venting Design*

Model Number	Item Number
JR42	EF-WM353 MO (42")
JR42 WHITE	EF-WM373 MO (42")
JR50	EF-WM350 MO (50")
JR50 WHITE	EF-WM391 MO (50")
JR60	EF-WM349 MO (60")
JR72	EF-WM348 (72")



READ & SAVE THESE INSTRUCTIONS

Carefully read and review before assembling, installing, operating, or maintaining this product. Observe all safety instructions and information.

FAILURE TO FOLLOW WARNINGS & OPERATIONAL INSTRUCTIONS CONTAINED IN THIS MANUAL CAN RESULT IN PROPERTY DAMAGE OR PERSONAL INJURY

****IMPORTANT NOTICE****

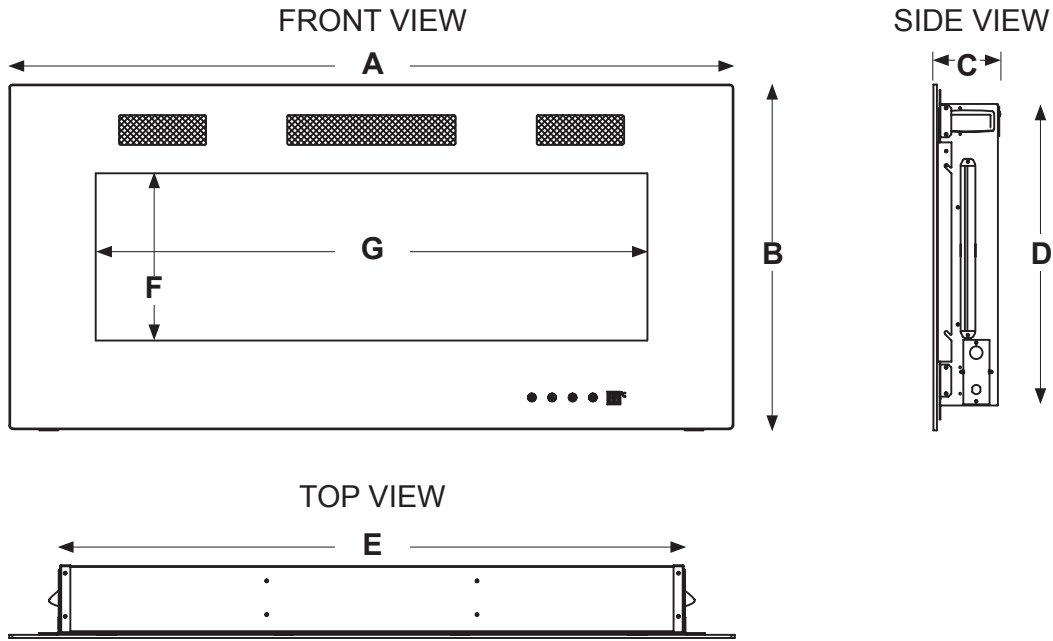
For customer service & warranty issues, please contact: customercare@jrhome.com

Introduction

WARNING

- **THIS APPLIANCE IS HOT WHEN OPERATED AND CAN CAUSE SEVERE BURNS IF CONTACTED.**
- Do not operate appliance before reading and understanding operating instructions. Failure to operate appliance according to operating instructions could cause fire or injury.
- Risk of burns. Power to the appliance should be turned off and the appliance allowed to cool before servicing. To disconnect power to the appliance, turn controls to off, then remove plug from outlet.
- Do not install damaged, incomplete or substitute components.
- Do not burn wood or other materials in this appliance.
- Young children should be carefully supervised when they are in the same room as the appliance. Toddlers, young children and others may be susceptible to accidental contact burns. A physical barrier is recommended if there are at risk individuals in the house. To restrict access to an appliance or stove, install an adjustable safety gate to keep toddlers, young children and other at risk individuals out of the room and away from hot surfaces.
- Clothing or other flammable material should not be placed on or near the appliance.
- Due to high temperatures, the appliance should be located out of traffic and away from furniture and draperies.
- Ensure you have incorporated adequate safety measure to protect infants/toddlers from touching hot surfaces.
- Even after the appliance is out, the glass and/or screen will remain hot for an extended period of time.
- Check with your local hearth specialty dealer for safety screens and hearth guards to protect children from hot surfaces. These screens and guards must be fastened to the floor.
- Any safety screen or guard removed for servicing must be replaced prior to operating the appliance.
- It is imperative that the control compartments, circulating blower and its passageway in the appliance and are kept clean. The appliance should be inspected before use and at least annually by a qualified service person. More frequent cleaning may be required due to excessive lint from carpeting, bedding material, etc. The appliance area must be kept clear and free from combustible materials, gasoline and other flammable vapors and liquids.
- Under no circumstances should this appliance be modified.
- Do not use this appliance if any part has been under water. Immediately call a qualified service technician to inspect the appliance and to replace any part of the control system which has been under water.
- Do not operate the appliance with the glass door removed, cracked or broken. Replacement of the glass should be done by a licensed or qualified service person.
- Do not strike or slam shut the appliance glass door.
- Keep the packaging material out of reach of children and dispose of the material in a safe manner. As with all plastic bags, these are not toys and should be kept away from children and infants.
- Servicing should be done only while the appliance is disconnected from the power supply circuit.
- Always unplug appliance when not in use.
- Do not operate this appliance with a damaged cord or plug after the appliance malfunctions, has been dropped or damaged in any manner. Return appliance to authorized service facility for examination, electrical or mechanical adjustment, or repair.
- Do not use outdoors.
- Never locate appliance where it may fall into a bathtub or other water container.
- Do not run cord under carpeting. Do not cover cord with throw rugs, runners, or the like. Arrange cord away from traffic area and where it will not be tripped over.
- Connect to properly grounded outlets only.
- Do not insert or allow foreign objects to enter any ventilation or exhaust opening as this may cause an electric shock or fire, or damage the appliance.
- To prevent a possible fire, do not block air intakes or exhaust in any manner. Do not use on soft surfaces, like a carpet, where openings may become blocked.
- Always plug appliances directly into a wall outlet/receptacle. Never use an extension cord or relocatable power tap (outlet/power strip).
- Ensure clearances to combustibles are maintained when building a mantel or shelves above the appliance. Elevated temperatures on the wall or in the air above the appliance can cause melting, discolouration or damage to decorations, a T.V. or other electronic components.

Dimensions



Listing Approvals

This appliance has been tested in accordance with the CSA Standards for fixed and location-dedicated electric room appliances in the United States and Canada. If you need assistance during installation, please contact your local dealer.

NOTE: This appliance must be electrically wired and grounded in accordance with local codes or, in the absence of local codes, with National Electric Code ANSI/NFPA 70-latest edition in the United States or the Canadian Electric Code, CSA C22.1 in Canada.

PRODUCT DIMENSIONS								CARTON DIMENSIONS
Item No.	A	B	C	D	E	F	G	Width x Depth x Height
EF-WM353 MO	42"	20"	4.2"	18.8"	36.10"	9.72"	31.97"	49" x 10.24" x 25.59"
EF-WM373 MO	42"	20"	4.2"	18.8"	36.10"	9.72"	31.97"	49" x 10.24" x 25.59"
EF-WM350 MO	50"	20"	4.2"	18.8"	44.10"	9.72"	39.72"	56.89" x 10.24" x 25.59"
EF-WM391 MO	50"	20"	4.2"	18.8"	44.10"	9.72"	39.72"	56.89" x 10.24" x 25.59"
EF-WM349 MO	60"	20"	4.2"	18.8"	54.10"	9.72"	50"	66.93" x 10.24" x 25.59"
EF-WM348	72"	23.25"	4.2"	20.27"	66.10"	10.24"	60"	79.53" x 11.22" x 29.92"

Item No.	Net Weight	Gross Weight
EF-WM353 MO	22 KGS	29.5 KGS
EF-WM373 MO	22 KGS	29.5 KGS
EF-WM350 MO	26.5 KGS	35.0 KGS
EF-WM391 MO	26.5 KGS	35.0 KGS
EF-WM349 MO	31.5 KGS	41.5 KGS
EF-WM 348	43.5 KGS	56.0 KGS

Description	Electric Fireplace
Type	3 Way Mounting Wall Mount
Voltage	120V AC
Watts	MAX 1500W
Amps	15 AMP Grounded Circuit

General Instructions

WARNING

READ THESE INSTRUCTIONS COMPLETELY BEFORE BEGINNING INSTALLATION. FAILURE TO FOLLOW THEM COULD CAUSE AN APPLIANCE MALFUNCTION RESULTING IN SERIOUS INJURY AND/OR PROPERTY DAMAGE.

ALL ELECTRIC APPLIANCES HAVE HOT AND ARCING OR SPARKING PARTS INSIDE. DO NOT USE IT IN AREAS WHERE GASOLINE, PAINT OR FLAMMABLE LIQUIDS ARE PRESENT.

THIS ELECTRIC APPLIANCE IS TESTED AND LISTED FOR USE ONLY WITH THE OPTIONAL ACCESSORIES LISTED IN THESE INSTRUCTIONS. USE OF OPTIONAL ACCESSORIES NOT SPECIFICALLY TESTED FOR THIS ELECTRIC APPLIANCE COULD VOID THE WARRANTY AND/OR RESULT IN A SAFETY HAZARD.

DO NOT OPEN. RISK OF ELECTRIC SHOCK. NO USER-SERVICEABLE PARTS INSIDE.

DO NOT USE DAMAGED ELECTRICAL CORDS.

SERVICING SHOULD BE DONE ONLY WHILE THE APPLIANCE IS DISCONNECTED FROM THE POWER SUPPLY CIRCUIT.

TO PREVENT ELECTRIC SHOCK MATCH THE WIDE BLADE OF PLUG TO WIDE SLOT OF RECEPTACLE AND FULLY INSERT.

1. Prior to plugging your appliance into an electrical outlet, verify that the house circuit breakers for the outlet are on.
2. The appliance may emit a slight, harmless odour when first used. This odour is normal and it is caused by the initial heating of internal appliance elements and will not occur again.
3. If your appliance does not emit heat, consult the operation section of this manual for further information.
4. Use with a CSA or UL certified surge protector.
5. Do not route the power cord directly underneath the appliance.

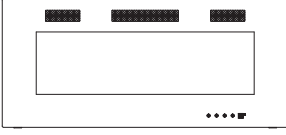
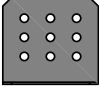
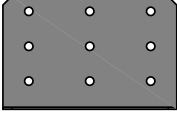



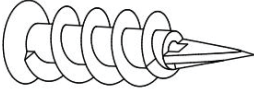
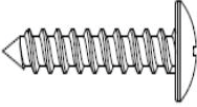


This electric appliance meets the construction and safety standards of H.U.D. for application in manufactured homes when installed according to these instructions.

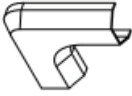

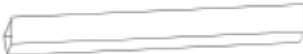
As with most electronic devices, your new electric fireplace has been designed to operate at temperatures between 5°C (41°F) and 35° C (95°F). During the colder winter months, allow the fireplace to reach room temperature before turning it on.

Unpacking and Testing Appliance

Carefully remove the appliance from the box. Prior to installing the appliance, test to make sure the appliance operates properly by plugging the power supply cord into a conveniently located 120 Volt grounded outlet.

Hardware Parts List

 <p>A- Fireplace EF-WM353 MO (42") x1 EF-WM373 MO (42") x1 EF-WM350 MO (50") x1 EF-WM391 MO (50") x1 EF-WM349 MO (60") x1 EF-WM348 (72") x1</p>	 <p>B- Side Brackets EF-WM353 MO (42") x4 EF-WM373 MO (42") x4 EF-WM350 MO (50") x4 EF-WM391 MO (50") x4 EF-WM349 MO (60") x4 EF-WM348 (72") x4</p>	 <p>C1 - Top/Bottom Brackets EF-WM349 MO (60") x6 EF-WM348 (72") x8</p>	 <p>C2 - Top/Bottom Brackets EF-WM349 MO (60") x6 EF-WM348 (72") x8</p>
 <p>D- Mounting Bracket EF-WM353 MO (42") x1 EF-WM373 MO (42") x1 EF-WM350 MO (50") x1 EF-WM391 MO (50") x1 EF-WM349 MO (60") x1 EF-WM348 (72") x1</p>	 <p>E- Wood Screws EF-WM353 MO (42") x9 EF-WM373 MO (42") x9 EF-WM350 MO (50") x13 EF-WM391 MO (50") x13 EF-WM349 MO (60") x13 EF-WM348 (72") x16</p>	 <p>F- Drywall Anchors EF-WM353 MO (42") x9 EF-WM373 MO (42") x9 EF-WM350 MO (50") x13 EF-WM391 MO (50") x13 EF-WM349 MO (60") x13 EF-WM348 (72") x16</p>	 <p>G- ST4x12 Metal Screws EF-WM353 MO (42") x8 EF-WM373 MO (42") x8 EF-WM350 MO (50") x8 EF-WM391 MO (50") x8 EF-WM349 MO (60") x26 EF-WM348 (72") x32</p>
 <p>H- Remote Control EF-WM353 MO (42") x1 EF-WM373 MO (42") x1 EF-WM350 MO (50") x1 EF-WM391 MO (50") x1 EF-WM349 MO (60") x1 EF-WM348 (72") x1</p>	 <p>I- Crystals EF-WM353 MO (42") x1 EF-WM373 MO (42") x1 EF-WM350 MO (50") x1 EF-WM391 MO (50") x1 EF-WM349 MO (60") x1 EF-WM348 (72") x1</p>		

<p><i>OPTIONAL</i></p>  <p>J- Cord Corner EF-WM353 MO (42") x2 EF-WM373 MO (42") x2 EF-WM350 MO (50") x2 EF-WM391 MO (50") x2 EF-WM349 MO (60") x2 EF-WM348 (72") x2</p>	<p><i>OPTIONAL</i></p>  <p>K- Cord Corner EF-WM353 MO (42") x2 EF-WM373 MO (42") x2 EF-WM350 MO (50") x2 EF-WM391 MO (50") x2 EF-WM349 MO (60") x2 EF-WM348 (72") x2</p>	<p><i>OPTIONAL</i></p>  <p>L- Cord Cover EF-WM353 MO (42") x2 EF-WM373 MO (42") x2 EF-WM350 MO (50") x2 EF-WM391 MO (50") x2 EF-WM349 MO (60") x2 EF-WM348 (72") x2</p>	<p><i>For kit of OPTIONAL parts J, K, L (Item No: EF-WC) contact:</i></p> <p>1-800-561-5550</p>
--	--	--	--

Locating Appliance

WARNING

DUE TO HIGH TEMPERATURES, THIS ELECTRIC APPLIANCE SHOULD BE LOCATED OUT OF TRAFFIC. KEEP COMBUSTIBLE MATERIALS SUCH AS FURNITURE, PILLOWS, BEDDING, PAPERS, CLOTHES AND CURTAINS AT LEAST 36" FROM THE FRONT OF THE APPLIANCE.

NEVER LOCATE THIS ELECTRIC APPLIANCE WHERE IT MAY FALL INTO A BATHTUB OR OTHER WATER CONTAINER.

WEAR SAFETY GLOVES AND SAFETY GLASSES FOR PROTECTION DURING INSTALLATION AND MAINTENANCE.

TO PREVENT CONTACT WITH SAGGING OR LOOSE INSULATION, THE ELECTRIC APPLIANCE MUST NOT BE INSTALLED AGAINST VAPOR BARRIER OR EXPOSED INSULATION. LOCALIZED OVERHEATING COULD OCCUR AND A FIRE COULD RESULT.

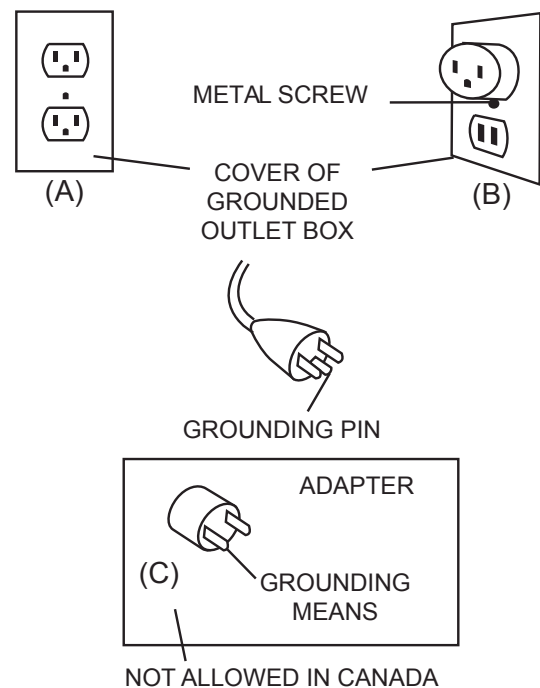
DO NOT EXPOSE THE ELECTRIC APPLIANCE TO THE ELEMENTS (SUCH AS RAIN, ETC.)

Grounding Appliance

This appliance is for use on 120 Volts. The cord has a plug as shown in (A). An adapter as shown in (C) is available for connecting three-blade grounding type plugs to two-slot receptacles. The green grounding lug extending from the adapter must be connected to a permanent ground such as a properly grounded outlet box. The adapter should not be used if a three-slot grounded receptacle is available.

To disconnect appliance, turn controls to off, then remove plug from outlet.

GROUNDING METHODS



Installation

WARNING

RISK OF FIRE! THE POWER CORD MUST NOT BE PINCHED AGAINST A SHARP EDGE. SECURE CORD TO AVOID TRIPPING OR SNAGGING TO REDUCE THE RISK OF FIRE, ELECTRIC SHOCK OR PERSONAL INJURY. DO NOT RUN CORD UNDER CARPETING. DO NOT COVER CORD WITH THROW RUGS, RUNNERS OR THE LIKE. ARRANGE CORD AWAY FROM TRAFFIC AREAS AND WHERE IT WILL NOT BE TRIPPED OVER.

RISK OF FIRE! TO PREVENT A POSSIBLE FIRE, DO NOT BLOCK AIR INTAKE OR EXHAUST IN ANY MANNER. DO NOT USE ON SOFT SURFACES WHERE OPENINGS MAY BECOME BLOCKED.

RISK OF FIRE! DO NOT BLOW OR PLACE INSULATION AGAINST THE APPLIANCE.

THIS ELECTRIC APPLIANCE IS TESTED AND LISTED FOR USE ONLY WITH THE APPROVED OPTIONAL ACCESSORIES. USE OF OPTIONAL ACCESSORIES NOT SPECIFICALLY TESTED FOR THIS ELECTRIC APPLIANCE COULD VOID THE WARRANTY AND/OR RESULT IN A SAFETY HAZARD.

IF THE INFORMATION IN THESE INSTRUCTIONS IS NOT FOLLOWED EXACTLY, A FIRE OR EXPLOSION MAY RESULT CAUSING PROPERTY DAMAGE, PERSONAL INJURY OR DEATH. DO NOT STORE OR USE GASOLINE OR OTHER FLAMMABLE VAPORS IN THE VICINITY OF THIS OR ANY OTHER APPLIANCE.

THIS APPLIANCE IS HEAVY. IT IS HIGHLY RECOMMENDED THAT TWO PEOPLE INSTALL THIS APPLIANCE.

HEATER VENTS ON THE ELECTRIC APPLIANCE CANNOT, IN ANY WAY, BE COVERED AS IT MAY CREATE A FIRE HAZARD.

DO NOT RUN THE POWER CORD HORIZONTALLY, DIRECTLY BELOW THE APPLIANCE.

Your JR42/50/60/72 unit is a wall-mounted appliance. Select a suitable location that is not susceptible to moisture and is away from drapes, furniture and high traffic areas.

NOTE: Follow all National and local electrical codes.

Minimum Clearance to Combustibles

Measurements are taken from the glass front

Bottom	0"	Top	8" (203mm) to mantel
Sides	0"	Top	8" (203mm) to ceiling
Back	0"		

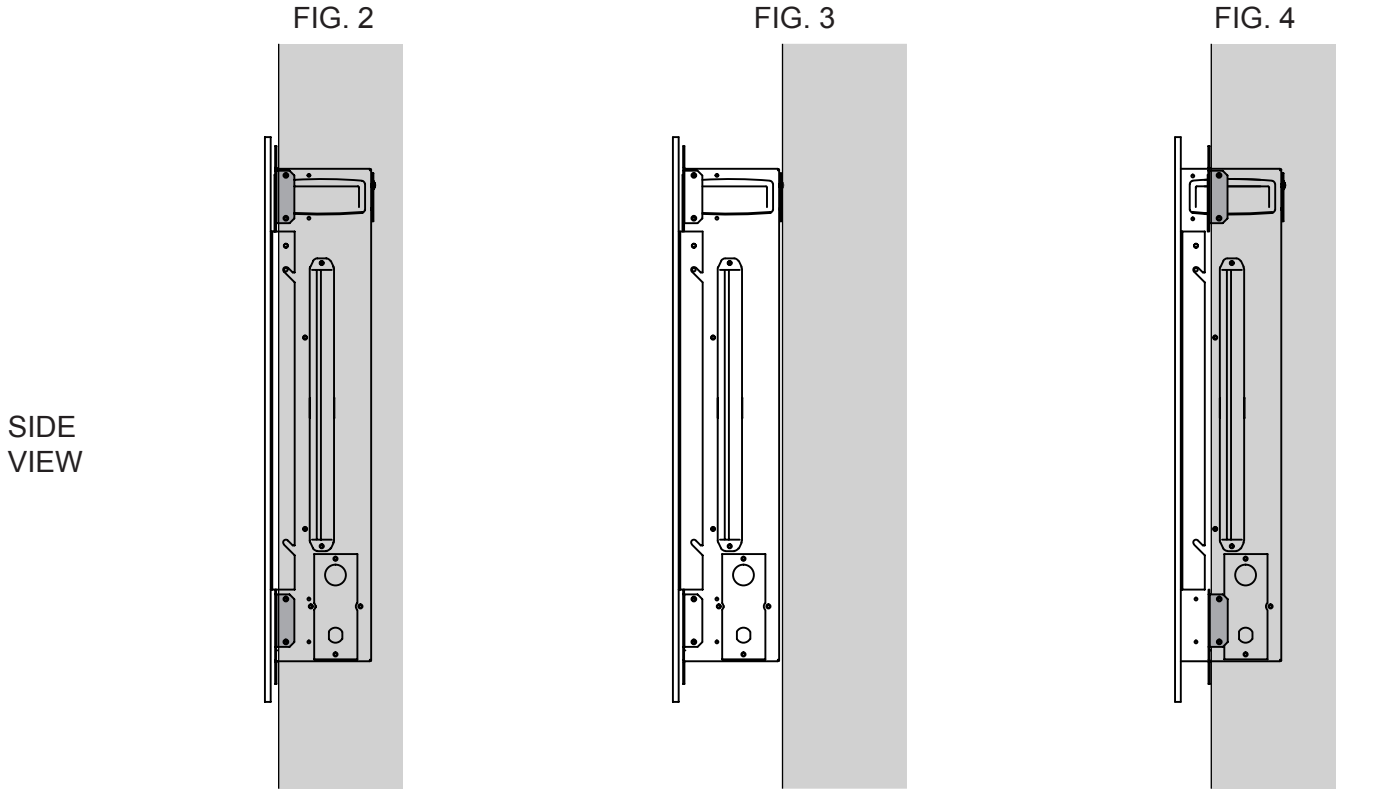
Minimum Mantel Clearances

WARNING

WHEN USING PAINT OR LACQUER TO FINISH THE MANTEL, THE PAINT OR LACQUER MUST BE HEAT RESISTANT TO PREVENT DISCOLOURATION.

Adjustable Mounting Brackets and Installation Options

NOTE: It is recommended that the walls for the appliance enclosure be finished (ie. drywall) to avoid exposed insulation or vapour barriers coming in contact with the appliance. This will ensure clearance to combustibles is maintained.



SIDE VIEW

TOP VIEW



OPTION 1

OPTION 2

OPTION 3

Full Recess:

- Flush to wall look
- No use of backlight

For installation instructions refer to Page 9

No Recess:

- Easy installation
- Full use of backlight
- Easy maintenance

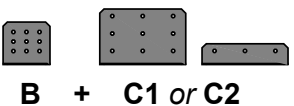
For installation instructions refer to Page 12

Partial Recess:

- 1" gap for multi-use
- No use of backlight
- Easy maintenance

For installation instructions refer to Page 9

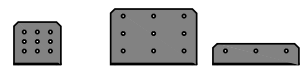
PARTS NEEDED



B + C1 or C2
(JR42/JR50: B only)



D



B + C1 or C2
(JR42/JR50: B only)

Option 1: Recessing the Appliance Flush into the Wall

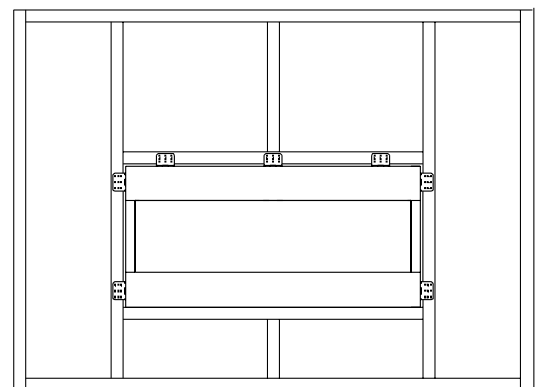
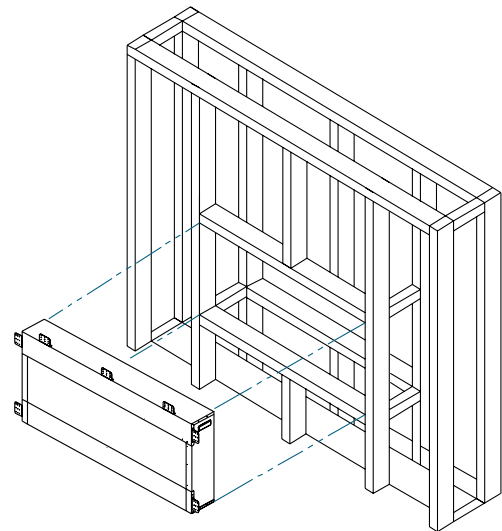
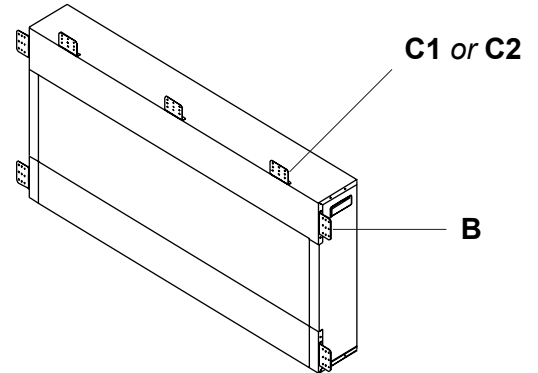
Due to the many different finish materials used on walls, it is highly recommended that you consult your local builder before you install this appliance in the wall.

Select a location that is not prone to moisture and is located at least 36" (914mm) away from combustible materials such as curtain drapes, furniture, bedding, paper etc.

1. Measure the appliance and create a rough in with electrical.
2. Remove the front glass (refer to Page 15 for instructions).
3. Remove the LED back lights (refer to Page 16 for instructions).
4. Hold the appliance up to ensure it will fit into the framing.
5. **To fully recess the appliance into the wall:**
 - A. Position and screw the side Builder's brackets (shown in grey on Page 10) to the set of holes closest to the front glass as in Figure 2 on Page 8.
 - B. Use 8-24 screws (provided) to lock appliance into wall from the side facing out.
 - C. Install the media and reinstall the glass front.

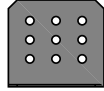
6. **To partially recess the appliance into the wall (Option 3):**
 - A. Position and screw the side Builder's brackets (shown in grey on Page 10) to the second set of holes from the front glass as in Figure 4 on Page 8.
 - B. Use 8-24 screws (provided) to lock appliance into wall from the side facing out.
 - C. Install the media and reinstall the glass front.

NOTE: Two sets of holes are provided for recessing into the wall. The wall structure may limit how far the appliance can be recessed. Use the appropriate set of holes when recessing to the frame, it may be necessary to use the four holes on the top and bottom.

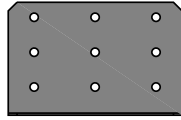


FRONT VIEW

Positioning of Adjustable Builder's Brackets

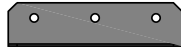


B: Side brackets



C1: Top bracket (Tall)

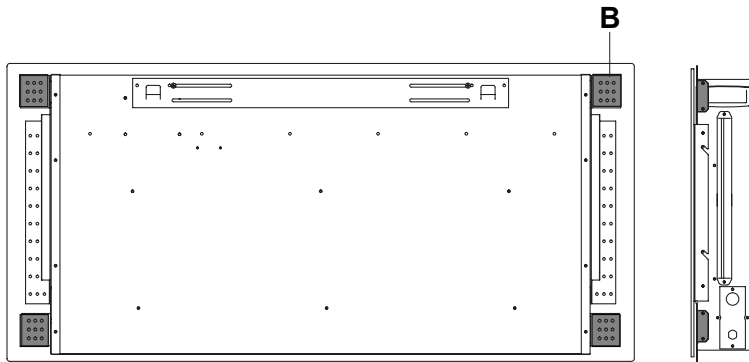
Use for more security & surface area



C2: Top bracket (Short)

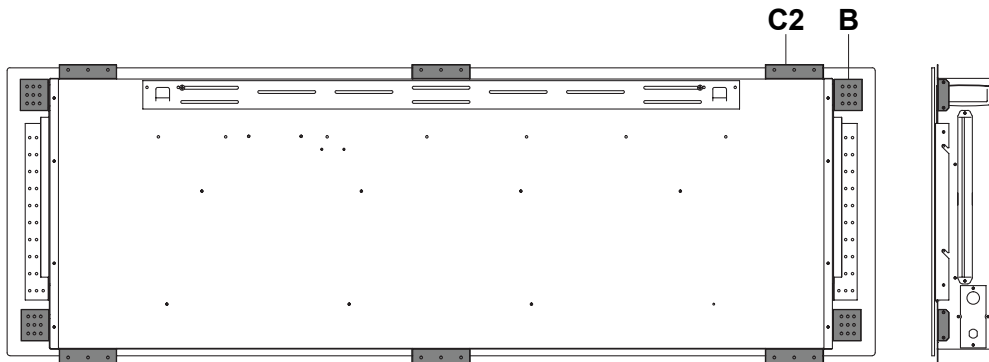
Used when no wall finish is applied.
Will stay hidden behind glass.

EF-WM353 MO,
EF-WM373 MO,
EF-WM350 MO,
EF-WM391 MO

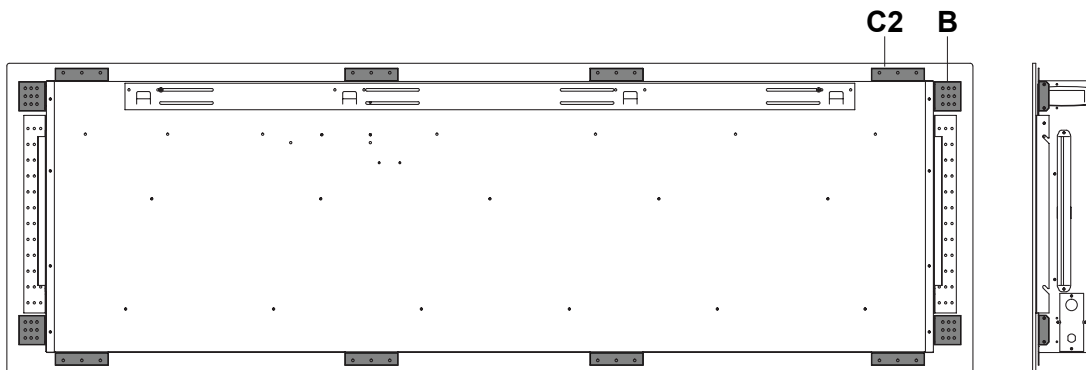


*Builder's bracket positions
shown in grey for each model*

EF-WM349 MO



EF-WM348

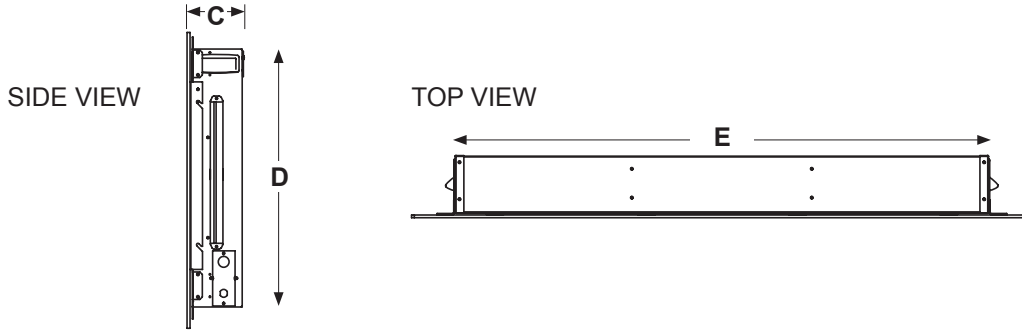


Minimum Clearance to Combustibles

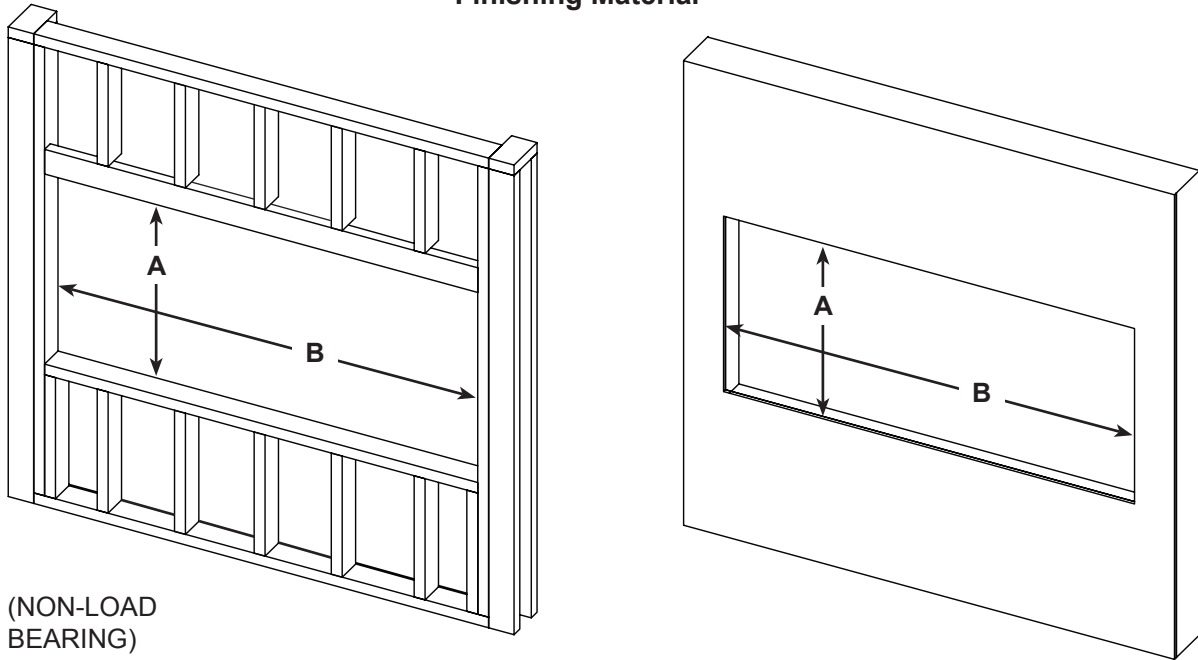
Measurements are taken from the glass front

Sides, back and top 0"

Framing



Finishing Material



(NON-LOAD BEARING)

Recommended Framing Dimensions

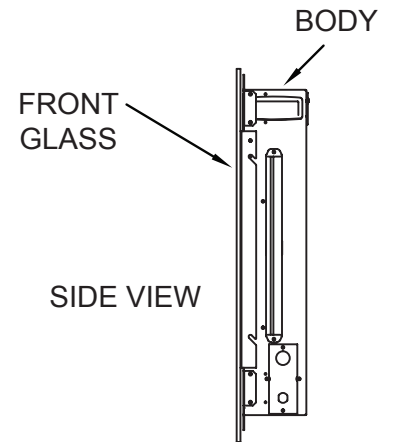
Item No.	A	B	C	D	E
EF-WM353 MO	19.3" (49cm)	38.60" (98cm)	4.2"	18.8"	36.10"
EF-WM373 MO	19.3" (49cm)	38.60" (98cm)	4.2"	18.8"	36.10"
EF-WM350 MO	19.3" (49cm)	46.60" (118.4cm)	4.2"	18.8"	44.10"
EF-WM391 MO	19.3" (49cm)	46.60" (118.4cm)	4.2"	18.8"	44.10"
EF-WM349 MO	19.3" (49cm)	56.60" (143.8cm)	4.2"	18.8"	54.10"
EF-WM348	21.27" (52.8cm)	68.60" (174.2cm)	4.2"	18.8"	66.10"

NOTE to installer: Please allow extra clearance for the power cord and easy installation.

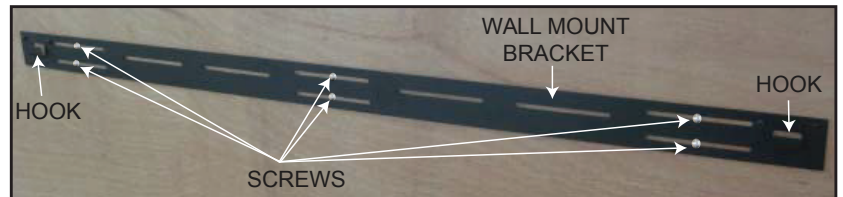
Option 2: Hanging the Appliance on the Wall

Due to the many different materials used on different walls, it is highly recommended that you consult your local builder before you install this appliance on the wall.

1. Select a location that is not prone to moisture and is located at least 36" (914mm) away from combustible materials such as curtain drapes, furniture, bedding, paper, etc.
2. Have two people hold the appliance against the wall to determine the final location.
3. Remove the bracket from the back of the unit by removing the two screws, refer to Figure 1.
4. Mark out location, then mount the bracket onto the wall using the 8 supplied screws. This bracket **MUST** have the hooks facing upward and be level.



NOTE: It is strongly recommended that the mounting bracket be screwed into the wall studs where possible. If the wall studs cannot be used, ensure that the supplied plastic anchors are used to affix the bracket to the wall and the bracket is adequately secured.



5. With the wall mounting bracket installed have two people lift the appliance up and insert the two hooks on the bracket into the two slots on the back of the appliance.
6. Check the appliance for stability ensuring that the bracket will not pull free from the wall.

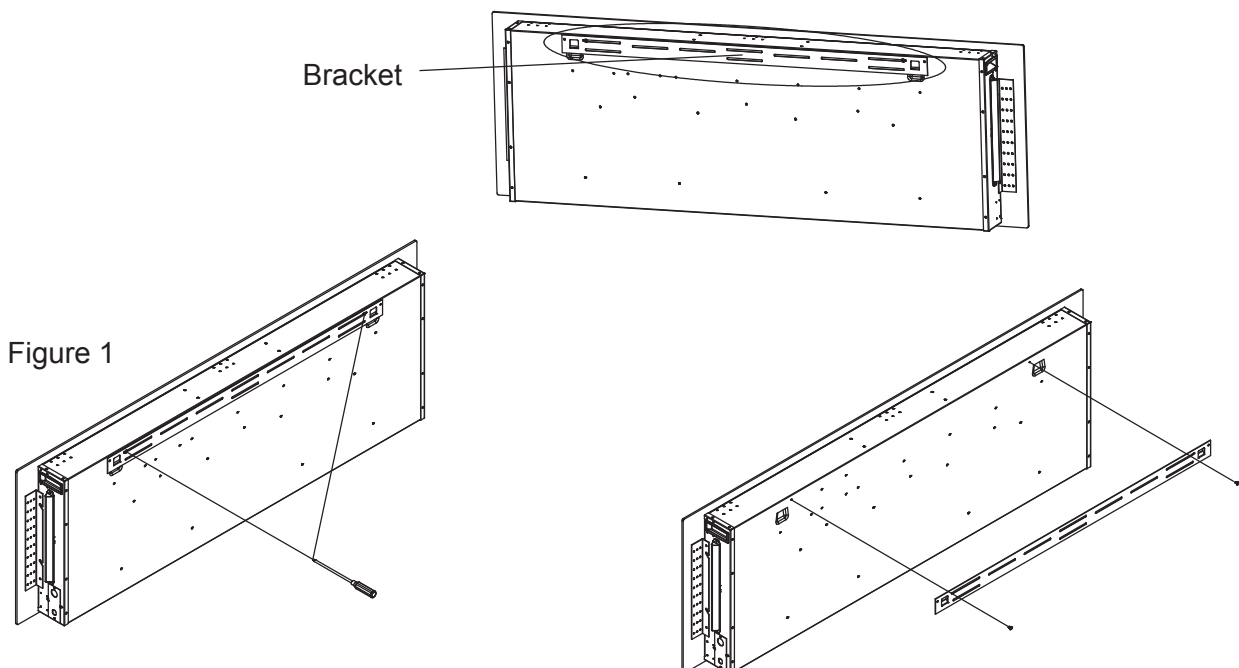


Figure 1

Hard Wiring Installation

WARNING

TURN OFF THE APPLIANCE COMPLETELY AND LET COOL BEFORE SERVICING. ONLY A QUALIFIED SERVICE PERSON SHOULD SERVICE AND REPAIR THIS ELECTRIC APPLIANCE.

HARD WIRING CONNECTION

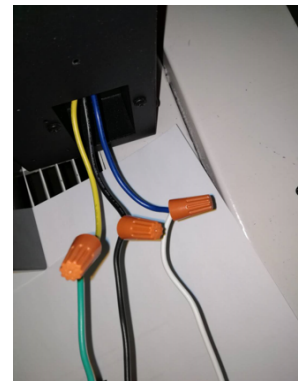
If it is necessary to hard wire this appliance, a qualified electrician must remove the cord connection, and wire the appliance directly to the house hold wiring.

This appliance must be electrically connected and grounded in accordance with local codes, if hard wired. In the absence of local codes, use the current CSA C22.1 CANADIAN ELECTRICAL CODE in Canada or the current ANSI/NFPA 70 NATIONAL ELECTRICAL CODE in the United States.

COVER PLATE



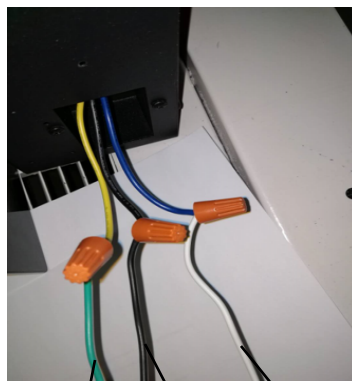
Figure 1



1. Remove the cover plate from the right side of the appliance by removing the four screws, as shown above.
2. Remove the wire connectors from the power cord. The power cord may be discarded.
3. Take the new cover plate, supplied in the manual bag. Punch out the 7/8" (22mm) hole and install a box connector through, into the junction box. Snap the box connector clamp onto the supply wires.
4. Using the wire connectors, connect the ground green wires (G) and white wires (N) together, then hot black wires (L) and then refer to Figure 2.
5. Reinstall the cover plate using the four screws, as shown in Figure 1.

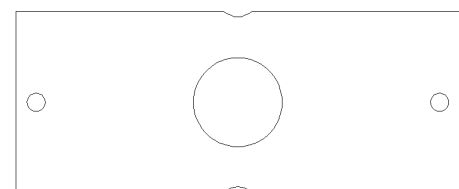
NOTE: Leave enough wire so that the appliance can be removed from the enclosure without disconnecting the power supply.

Figure 2



G L N

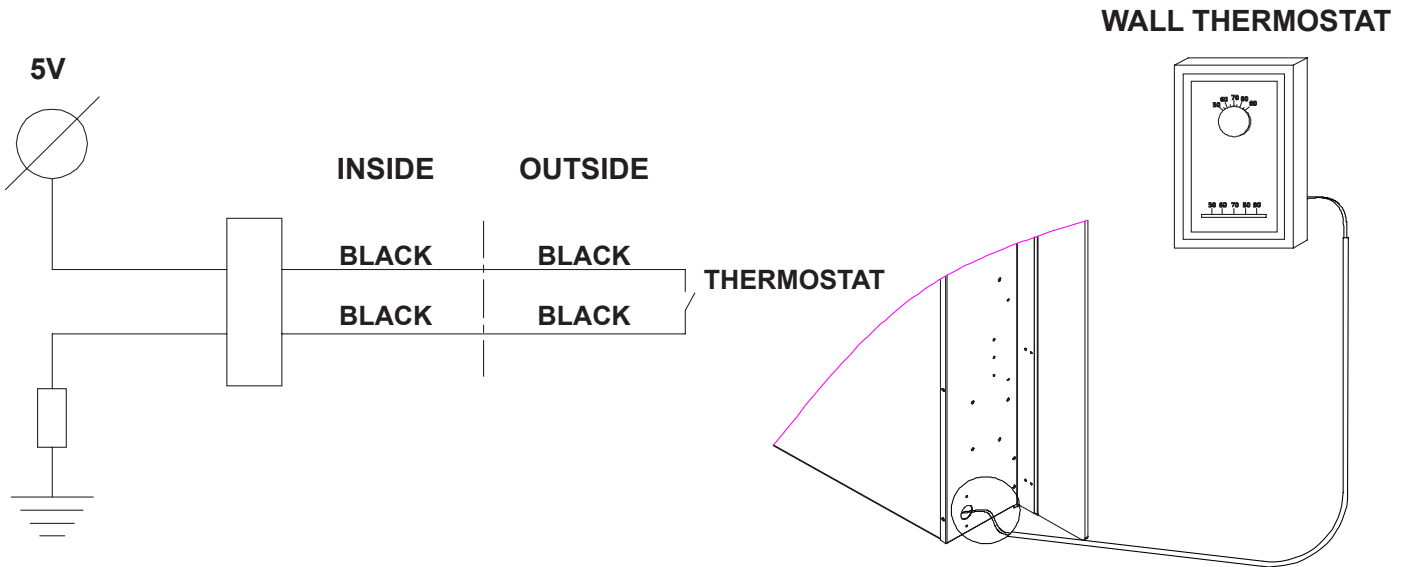
7/8" (22.2mm)
Diameter



Wall Thermostat Installation

WARNING

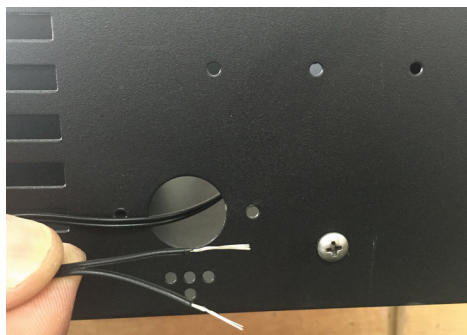
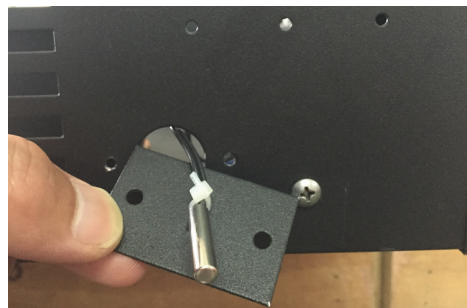
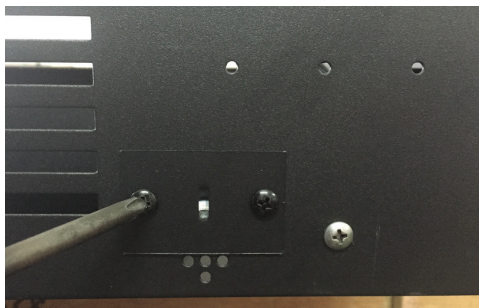
TURN OFF THE APPLIANCE COMPLETELY AND LET COOL BEFORE SERVICING. ONLY A QUALIFIED SERVICE PERSON SHOULD SERVICE AND REPAIR THIS ELECTRIC APPLIANCE.



NOTE: Wire the wall thermostat prior to installing the fireplace.

WALL THERMOSTAT WIRING (24AWG)

1. Turn off circuit breaker.
2. Remove cover plate located on the left side of the appliance.
3. Pull the wire out and cut the inside thermostat. Connect the wires to the wall thermostat as shown below. Follow instructions provided with wall switch kit.



Finishing

WARNING

POWER SUPPLY SERVICE MUST BE COMPLETED PRIOR TO FINISHING TO AVOID RECONSTRUCTION.

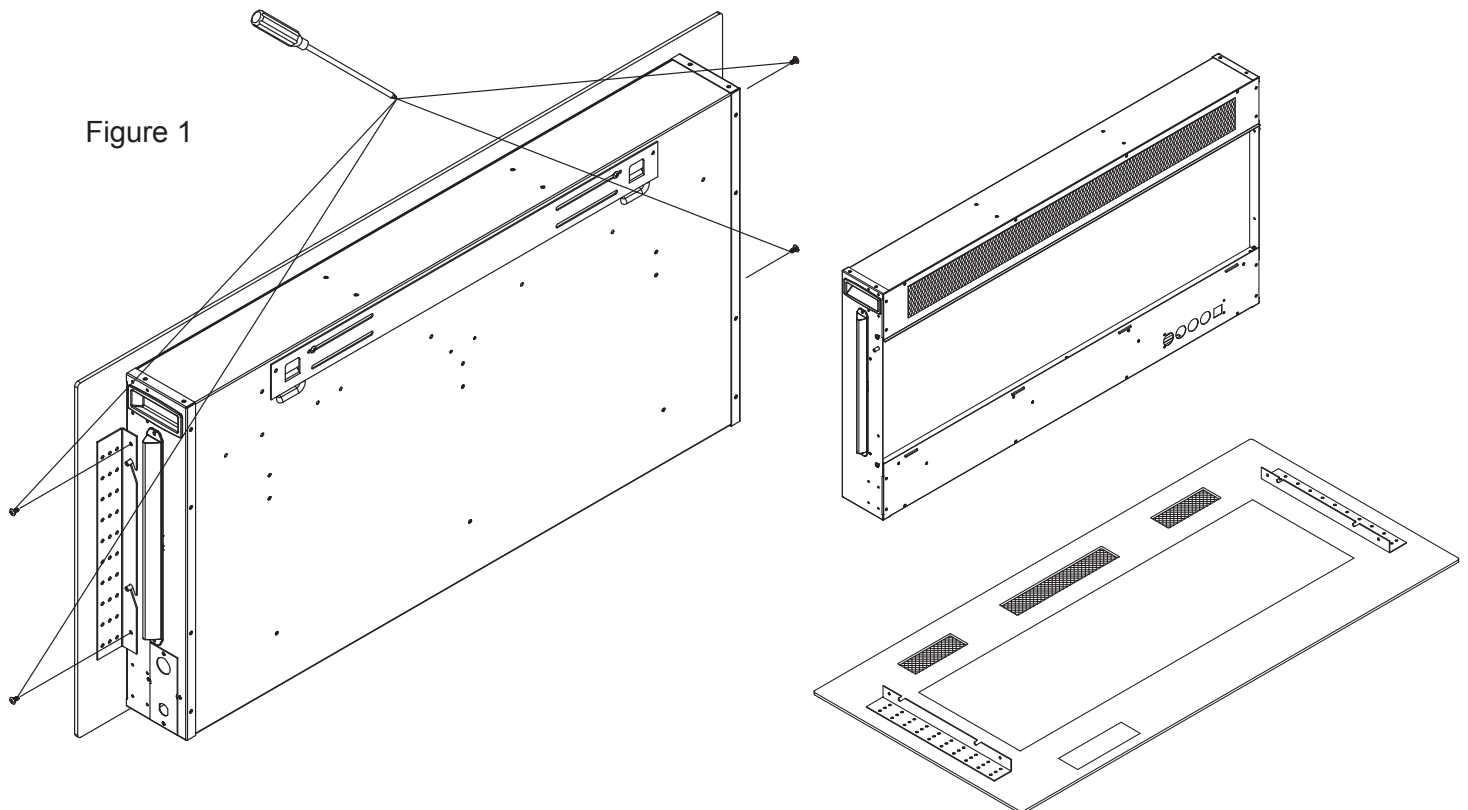
HEAT VENTS AND AIR OPENINGS CANNOT BE COVERED IN ANY CIRCUMSTANCES.

Front Glass Removal / Installation

WARNING

BEFORE THE FRONT GLASS IS INSTALLED OR REMOVED, UNPLUG THE APPLIANCE AND WAIT UNTIL APPLIANCE IS COOL TO THE TOUCH. GLASS CAN BE HEAVY AND FRAGILE SO HANDLE WITH CARE.

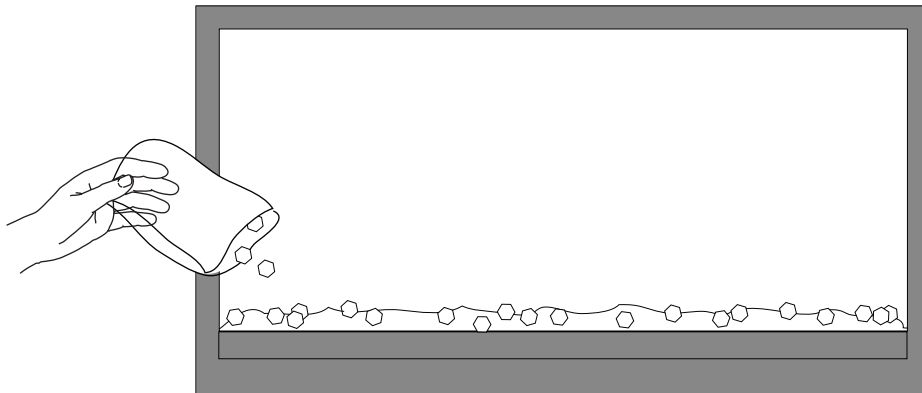
1. Remove the 4 screws from the sides of the appliance in Figure 1.
2. Have two people lift the glass up and away from the appliance, holding the glass vertical while carrying. Carefully rest the glass on a soft, non-abrasive surface.
3. Install the crystal embers (refer to instructions on Page 16)
4. Re-install the front glass by aligning the slots with the pins on the side of the appliance. Press the glass down to secure in place.
5. Secure the front glass using the 4 screws in Figure 1. (If fully recessed, this is not necessary)



Crystal Embers Installation

The glass front must be removed and the appliance must be secured in its final location before the crystal embers are installed.

1. Carefully place crystal embers into the bottom media tray on the front of the appliance as illustrated. Apply an even layer from side to side.



LED Back Light Removal

1. Unscrew the two screws in Figure A.
2. Lift off the LED cover and remove.
3. Disconnect the wires where connected to the circuit board. The disassembly is complete.



Operating Instructions

WARNING

WHILE THE APPLIANCE IS OPERATING DO NOT REMOVE THE GLASS PANEL. THIS WILL CAUSE THE REMOTE CONTROL AND TOUCH PANEL TO DISFUNCTION.

Once the appliance has been plugged into a grounded electrical outlet, it is ready to operate.

NOTE: Ensure the house circuit breakers for the power supply are turned on. In the event of a power failure, the appliance will lose its memory function and will reset to factory mode when the power returns.

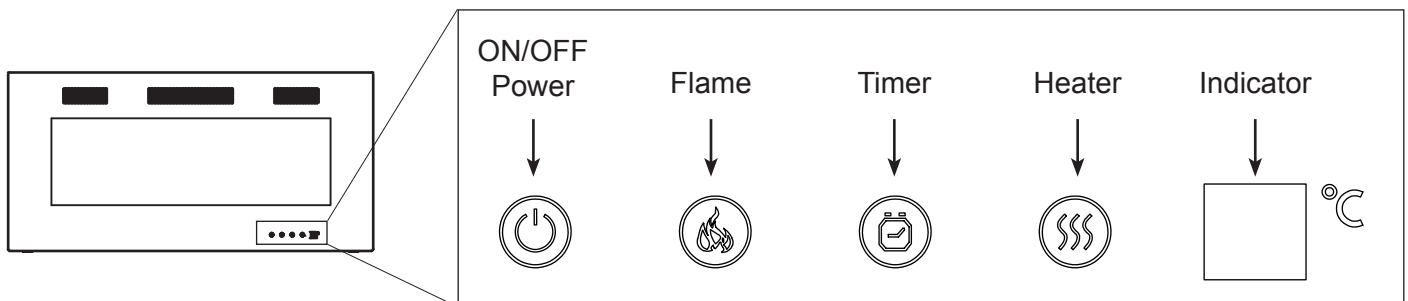
Main Power Switch


To turn unit power on:

1. Plug in power cord.
2. Turn on the power switch (located on the front bottom right side of the appliance).
3. Verify the power is turned on when two ring tones are initiated.

Operating with Touch Panel

The unit can be controlled by either the touch panel controls which are located on the right side of the front glass or the remote control.





1. Press “

Note: The touch panel buttons will glow when pressed. The light fades in 5 seconds after pressing.

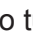



Multi-functional Operating with Remote Control

Turning ON/OFF the appliance:

1. Ensure steps 1-3 in the “Main Power Switch” procedure are first followed.
2. Press the “” remote button to turn on both flame and ember bed LEDs.
3. Press the “” button again to turn off both flame and ember bed LEDs.
4. Verify the lights are shut off.
5. Turn off the main power switch.
6. Unplug the power cord.




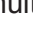


Note: The LEDs are at the brightest when the heating element is shut off. The power switch on the appliance must be turned on for the remote control to operate.

Changing the temperature:

1. Ensure steps 1-2 in “Turning ON/OFF the appliance” are previously followed.
2. Press the “” button to turn on the heat element to HIGH temperature at 1500W.
3. Press the “” button again to decrease the temperature to LOW temperature at 750W.
4. Press the “” key: set the required room temperature, the parameters is pre-set in degrees Celsius 18-19-20-21-22-23-24-25-26-27-28-OFF (indicate t0); Repeat circulation. Press “” key for 5 seconds, hear a “beep” sound once, the indication switches to Fahrenheit degree the parameter is set to Fahrenheit degree of 64-66-68-70-72-73-75-77-79-81-82-OFF (indicate t0); Repeat circulation.

Note: Pressing the “” or “” a second time turns off the heating element.

Changing LED options:

1. Ensure steps 1-2 or 1-3 in “Turning ON/OFF the appliance” are previously followed.
2. Press the “” button to turn on or off the flame and ember bed LEDs.
3. Press the “” button multiple times to cycle through 3 different brightness levels and OFF for the yellow flame LEDs.
4. Press the “” button multiple times to cycle through 3 different brightness levels and OFF for the blue flame LEDs.
5. Press the “” button multiple times to cycle through 3 different brightness levels and OFF for the pink flame LEDs.
6. Press the “” button multiple times to set operating duration to 30min, 1h, 2h, 3h, 4h, 5h, 6h, 7h, 8h, or off.
7. Press the “” button multiple times to cycle the back LED lights through red, yellow, blue, red/blue, red/yellow, yellow/blue, red/yellow/blue, fade, or OFF.

Note: Steps 2-7 can be done independently.

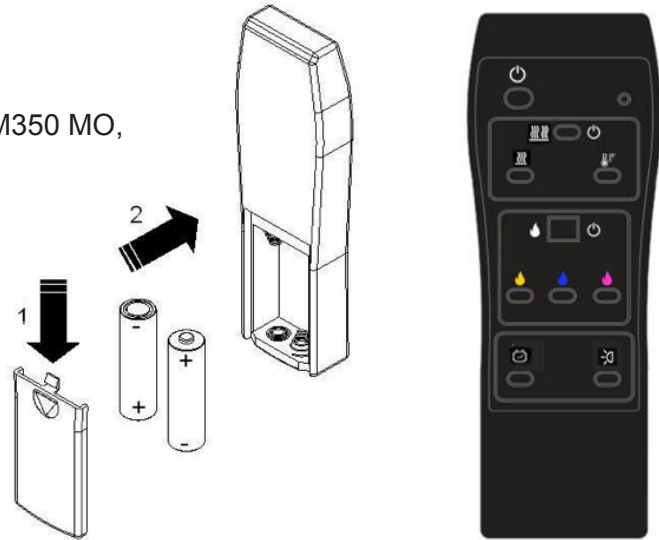


Remote Control Specifications

1. MCU Chips: SN8P2722 Chip
2. Software: LRC 12-02
3. Remote: 10 key remote
4. Item No.: EF-WM353 MO, EF-WM373 MO, EF-WM350 MO, EF-WM391 MO, EF-WM349 MO, EF-WM348

NOTE: Make sure your “AA” batteries (x2) are fully charged and installed correctly in your remote control before operating.

The remote control must remain within 5 meters or 17 feet of the appliance to be effective, this range may be reduced when battery power is depleted.



Maintenance

WARNING

PREPARATION FOR MAINTENANCE

ALWAYS DISCONNECT THE POWER AND ALLOW THE ELECTRIC APPLIANCE TO COOL BEFORE PERFORMING ANY CLEANING, MAINTENANCE OR RELOCATION OF THIS ELECTRIC APPLIANCE. TURN CONTROLS TO OFF AND REMOVE PLUG FROM OUTLET OR TURN OFF THE HOUSE CIRCUIT BREAKER TO ELECTRIC APPLIANCE RECEPTACLE.

DO NOT INSTALL REPLACEMENT BULBS THAT EXCEED SPECIFIED MAXIMUM WATTS.

THE BULBS IN YOUR APPLIANCE CAN BECOME EXTREMELY HOT. ALLOW AT LEAST 10 MINUTES BETWEEN TURNING OFF THE APPLIANCE AND REMOVING THE LAMPS TO AVOID ACCIDENTAL BURNS.

DO NOT HANDLE THE BULBS WITH BARE FINGERS, OILS FROM YOUR SKIN WILL DAMAGE THE BULBS WHEN THEY HEAT UP. USE GLOVES OR A CLEAN DRY CLOTH WHEN HANDLING BULBS.

Storage Instructions

Ensure the power cord is not installed so that it is pinched or against a sharp edge and ensure that the power cord is stored or secured to avoid tripping or snagging to reduce the risk of fire, electric shock, or injury to persons.

Construction and electrical outlet wiring must comply with local building codes and other applicable regulations to reduce the risk of fire, electrical shock, and injury to persons.

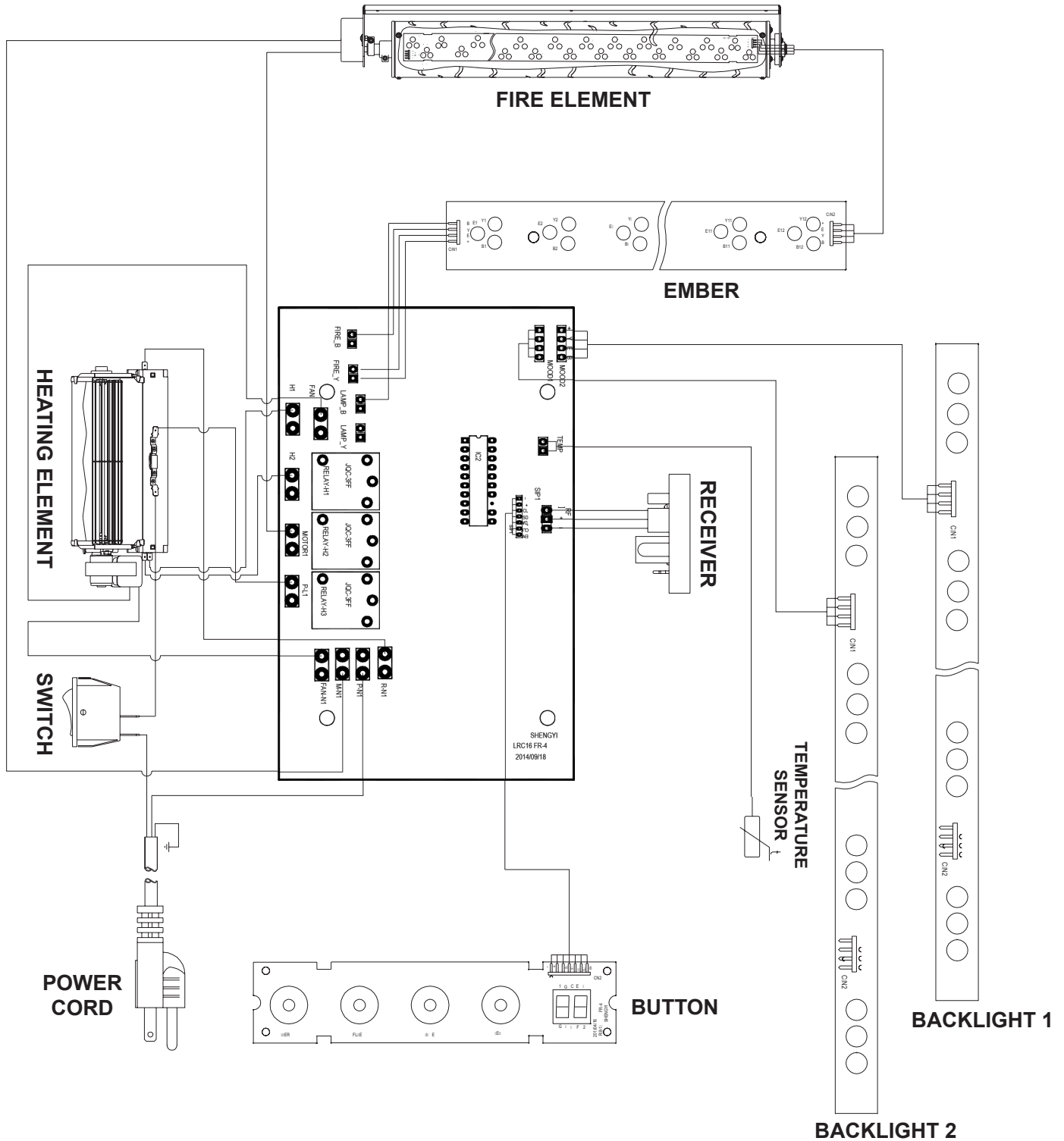
Do not attempt to wire your own new outlets or circuits. To reduce the risk of fire, electric shock, or injury to persons, always use a licensed electrician.

Wiring Diagram



WARNING

TURN OFF THE APPLIANCE COMPLETELY AND LET COOL BEFORE SERVICING. ONLY A QUALIFIED SERVICE PERSON SHOULD SERVICE AND REPAIR THIS ELECTRIC APPLIANCE.



Replacement Parts



FAILURE TO POSITION THE PARTS IN ACCORDANCE WITH THIS MANUAL OR FAILURE TO USE ONLY PARTS SPECIFICALLY APPROVED WITH THIS APPLIANCE MAY RESULT IN PROPERTY DAMAGE OR PERSONAL INJURY.

To order parts, contact customercare@jrhome.com

FOR WARRANTY REPLACEMENT PARTS, A PHOTOCOPY OF THE ORIGINAL INVOICE WILL BE REQUIRED TO HONOUR THE CLAIM.

When ordering replacement parts always give the following information:

- Model and serial number of appliance
- Installation date of appliance
- Part number
- Description of part
- Finish

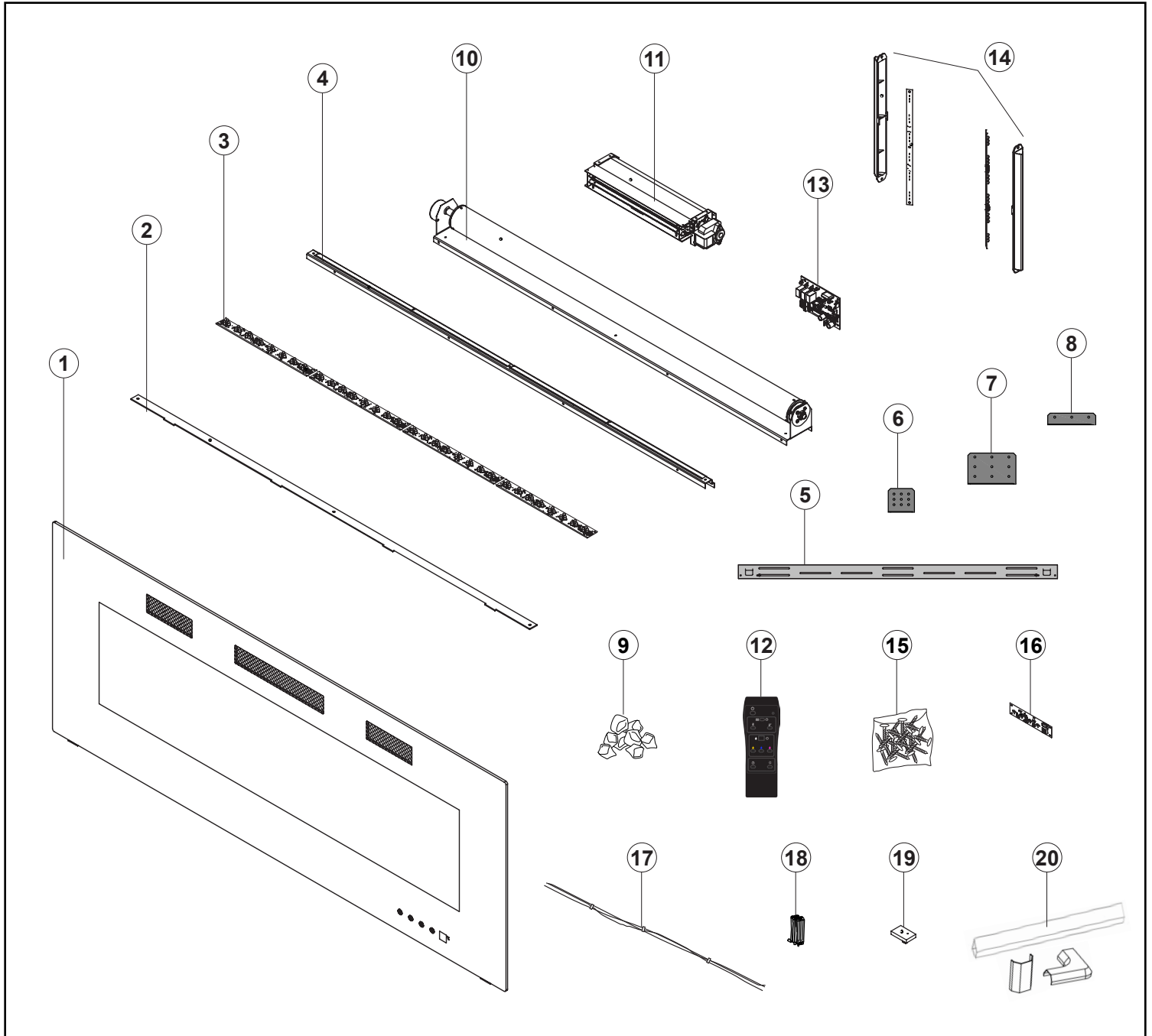
FOR FURTHER INFORMATION, CONTACT YOUR AUTHORIZED DEALER.

COMPONENTS					
REF.	EF-WM353 MO EF-WM373 MO	EF-WM350 MO EF-WM391 MO	EF-WM349 MO	EF-WM348	DESCRIPTION
1	BFT42	BFT50	BFT60	BFT72	Front Glass
2	BFT42CT	BFT50CT	BFT60CT	BFT72CT	Acrylic Panel
3	LED42	LED50	LED60	LED72	LED Light
4	EBT42	EBT50	EBT60	EBT72	Ember Bed Tray
5	WMB42	WMB50	WMB50	WMB72	Wall Mounting Bracket
6	B42	B42	B42	B42	GL Bracket B
7	N/A	N/A	C160	C160	GL Bracket C1
8	N/A	N/A	C260	C260	GL Bracket C2
9	CE42	CE50	CE50	CE50	Crystal Embers
10	FSA42	FSA50	FSA60	FSA72	Flame System Assembly
11	BHA42	BHA42	BHA42	BHA42	Blower and Heater Assembly
12	LRC12-02	LRC12-02	LRC12-02	LRC12-02	Remote Control
13	LRC42	LRC42	LRC42	LRC72	Circuit Board
14	WBL	WBL	WBL	WBL	LED Backlights
15	HWK42	HWK50	HWK50	HWK72	Hardware Kit
16	CP42	CP42	CP42	CP42	Control Panel
17	JR42	JR50	JR60	JR72	Wire Harness
18	TH42	TH42	TH42	TH42	Thermostat
19	RMOTER	RMOTER	RMOTER	RMOTER	Remote Control Receiver
20	WCKIT	WCKIT	WCKIT	WCKIT	Wire Cover Kit (Optional)

Replacement Parts Diagram

WARNING

FAILURE TO POSITION THE PARTS IN ACCORDANCE WITH THIS MANUAL OR FAILURE TO USE ONLY PARTS SPECIFICALLY APPROVED WITH THIS APPLIANCE MAY RESULT IN PROPERTY DAMAGE OR PERSONAL INJURY.



NOTE: Care must be taken when removing and disposing of any broken glass or damaged components. Be sure to vacuum up any broken glass from inside the appliance before operation.

Troubleshooting

WARNING

TURN OFF THE APPLIANCE COMPLETELY AND LET COOL BEFORE SERVICING. ONLY A QUALIFIED SERVICE PERSON SHOULD SERVICE AND REPAIR THIS ELECTRIC APPLIANCE.

Symptom	Problem	Test Solution
Dim or no flame/ Ember bed is not glowing or dimming	LED's are burnt out or malfunctioning	Inspect the LED's and replace them if necessary
No warm air coming out of appliance	Room temperature is higher than the appliance setting (if it is set to room temperature)	Reset temperature setting
	Heater is burnt out	Inspect the burner and heater assembly and replace it if necessary
Appliance turns off and will not turn on	Appliance has overheated and safety thermal switch has tripped	Unplug power cord and allow appliance to cool for 15 minutes, then plug in the power cord and turn the power ON
	House circuit breaker has tripped	Reset house circuit breaker
Appliance will not switch on when the Power button is turned ON	Appliance is not plugged into an electrical outlet	Check plug and plug it into a 120V outlet
	Appliance has overheated and safety thermal switch has tripped	Unplug power cord and allow appliance to cool for 15 minutes, then plug in the power cord and turn the power ON
	Circuit board is burnt out	Inspect the circuit board and replace it if necessary
Remote control does not work	Low battery	Replace batteries in remote control
Heater shuts off automatically	Room is too warm	The heater has a built-in thermostat so it will shut off automatically once the pre-set temperature is reached. It will also turn on automatically if the room temperature drops below the pre-set temperature.
Touch panel/ Remote Control do not work	The front glass has moved or is not secured properly	Unplug the appliance, if the appliance is recessed into the wall, shut off house circuit breaker. Ensure the front glass is in the correct position and is sitting flat to the appliance touch panel. After 10 seconds, plug in or turn on the appliance to reset it.

IMPORTANT

For questions, concerns or problems with our product please email our customer service department:

customercare@jrhome.com

DATED PROOF OF PURCHASE REQUIRED FOR WARRANTY SERVICE

Si vous éprouvez des difficultés, ou si vous avez des questions ou des préoccupations, prière de faire parvenir un courriel à notre Service à la clientèle

customercare@jrhome.com

UNE PREUVE D'ACHAT DATÉE EST REQUISE POUR SE PRÉVALOIR DE LA GARANTIE.

WARRANTY

This product is inspected, tested and carefully packaged to minimize the chance of damage during shipment. If a part (excluding light bulbs, glass and fuses*) within one year from the date of purchase proves to be defective in material or fabrication under normal use, the part will be repaired or replaced. The Company's obligation under the warranty is to replace or repair defective parts at our discretion. Any expenses or damage resulting from the installation, removal or transportation of the product will be the responsibility of the owner and are not covered by this warranty. The owner assumes all other risks arising from the use or misuse of the product. The warranty will be void if the product damage or failure is deemed by the Company to be caused by accident, alteration, misuse, abuse, incorrect installation or removal, or connection to an incorrect power source by the owner. The Company neither assumes, nor authorizes any person or entity to assume for it any obligation or liability associated with its products. Light bulbs and fuses are not covered under this warranty. If you have any questions regarding the warranty or service, please contact us at **customercare@jrhome.com**

Customer Service:

JR Home Products

Unit 306 - 19100 Airport Way, Pitt Meadows, BC V3Y 0E2

Toll Free: 1-800-561-5550

E-mail: **customercare@jrhome.com**

AVERTISSEMENT

Ce produit a été soigneusement inspecté, testé et emballé afin de minimiser les risques de dommages durant le transport. Si l'une des pièces (à l'exception des ampoules électriques verre et des fusibles*) s'avère défectueuse au niveau de sa fabrication ou de ses matériaux dans l'année qui suit la date de l'achat, suite à une utilisation normale, la pièce sera réparée ou remplacée. La Compagnie est tenue de réparer ou remplacer les pièces défectueuses, à sa discrétion, en vertu de la garantie. Tout frais ou dommage résultant de l'installation, du démantèlement ou du transport du produit demeure la responsabilité du client et n'est pas couvert par cette garantie. Le client assume tout autre risque résultant de l'utilisation, correcte ou fautive, du produit. La garantie devient nulle si la compagnie détermine que le dommage ou le mauvais fonctionnement est causé par un accident, une modification, une mauvaise utilisation, un abus, une mauvaise installation ou un mauvais démantèlement ou un branchement à une source électrique inadéquate de la part du client. La Compagnie n'est pas responsable et n'autorise quiconque, personne ou entité légale, à accepter de responsabilité ou obligation en son nom, en rapport avec ses produits. * Les ampoules électriques et les fusibles ne sont pas couverts par cette garantie. Pour toute question en rapport avec la garantie ou le service, envoyez-nous un courriel à: **customercare@jrhome.com**.

Service à la clientèle :

JR Home Products

Unit 306 - 19100 Airport Way, Pitt Meadows BC V3Y 0E2

Toll Free: 1-800-561-5550

E-mail: **customercare@jrhome.com**

You MUST register your product to receive warranty service.

Registration can be completed online at www.jrhome.com or by mailing this form.

Vous DEVEZ enregistrer votre produit pour vous prévaloir de la garantie.

Inscrivez-vous en ligne ou postez ce formulaire afin de compléter l'enregistrement de la garantie.

Warranty Registration Information Form / Formulaire d'enregistrement de la garant.

Name / Nom: _____

Street / Adresse: _____

City / Ville: _____

Province / Province: _____

Postal Code / Code postal: _____

Daytime Phone # / No téléphone jour: _____

Evening Phone # / No téléphone soir: _____

E-Mail Address / Courriel: _____

Product/Produit: _____

Place of Purchase / Lieu de l'achat: _____

Date of Purchase / Date de l'achat: _____

Model # / No de modèle: _____

Serial # / Numéro de série: _____

You MUST register your product to receive warranty service.

For warranty service, contact J&R Home Products at the address, phone numbers listed below within 30 days of purchase. Be sure to have your sales receipt and original date of purchase. All warranty service will be coordinated by J&R Home Products service center.

Vous DEVEZ enregistrer votre produit pour vous prévaloir de la garantie.

Afin de faire valoir la garantie, communiquez avec J&R Home Products à l'adresse et aux numéros indiqués ci-dessous dans les 30 jours suivant la date d'achat. Ayez en main votre reçu et la date d'achat. Toutes les demandes liées aux garanties seront traitées par le centre de service de J&R Home Products.

Please mail to / Veuillez poster le tout à : Parts & Service Department, J&R Home Products Ltd. Unit 306 - 19100 Airport Way, Pitt Meadows, BC V3Y 0E2