

Paramount

Model no. GF-23-BLK

Gel Fuel Fireplace Insert

STOP!! PLEASE READ BEFORE USE



*****SAVE THIS MANUAL FOR FUTURE REFERENCE*****

For customer service, parts or
any warranty issues:
Call 1-800-561-5550
Or Email: parts@jrhome.com



PLEASE READ ALL DIRECTIONS INCLUDED BEFORE USE

KEEP OUT OF REACH OF CHILDREN AND PETS
NEVER TOUCH METAL PARTS WHILE HOT
USE ONLY WITH ENVIRONMENT CANADA APPROVED,
ECO-FRIENDLY GEL FUEL 369 g CANISTERS
DO NOT ADD FUEL WHILE LIT OR STILL HOT
KEEP FLAMMABLE OBJECTS AWAY FROM FLAME
NEVER USE TO LIGHT OTHER OBJECTS SUCH AS CIGARETT
DO NOT SMOKE GEL FUEL
NEVER LEAVE UNATTENDED WHILE LIT



FREQUENTLY ASKED QUESTIONS

READ BEFORE USE

Q: Do I need a chimney or a vent to install a Paramount Gel Fuel Insert?

A: No. All Paramount Gel Fuel Inserts are ventless units that can be used in just about any room in your home; with a fireplace mantel that can hold the insert stable, please ensure that the room is adequately ventilated, and that the surface used is stable.

Q: How long will it take to assemble my Paramount insert?

A: After the parts are unpacked and ready to assemble, it should take an average of 10 minutes to install the insert into a previously assembled mantel.

Q: How does a Gel Fuel insert work?

A: All Paramount gel fuel inserts are designed to burn Environment Canada approved 369g gel fuel canisters, many retailers carry these products. Gel fuel is a non-toxic, clean burning gel that does not generate any smoke, soot or leave ash behind, which is why they are considered 'ventless'. Use either 1 or 2 canisters positioned in the fireplace insert as shown in this manual. Read the gel fuel canister instructions for use and safety before using.

Q: How long does a gel fuel canister burn?

A: Gel fuel canisters usually burn for between 2.5 to 3 hours long, depending on your room conditions, just like a regular wood log. Consult the can for actual burn time. If you wish to create a fire for a shorter period of time, simply extinguish the flame using the snuffer panel, wait 15-20 min for canister to cool down and re-cap the can. Re-use any remaining gel fuel for your next fire.

Q: Where should I store my Gel Fuel?

A: Review the gel fuel instructions on the canister for storage information.

Q: Can I use my Paramount fireplace to heat my home?

A: Although an Paramount gel fuel insert is not designed to be used as a primary heating source, each canister of gel fuel generates approximately 3,000 BTUs per hour when burning. This creates a noticeable warming in a room up to 400 sq feet room.

Q: What do I do in case of a spill?

A: If you spill any gel fuel, consult the can for instruction for clean up.

For more info go to www.jrhome.com

DIRECTIONS FOR USE

Gel fuelled fireplace inserts are an environmentally friendly solution to a real fire without the need for a wood or gas supply. There is no direct venting required with gel fuel inserts, just like an electric insert.

ASSEMBLY & INSTALLATION

- Follow assembly instructions provided in this manual
- The fireplace mantle that the Active Flame gel fuel insert is to be placed into MUST be placed on a stable, heat-resistant, and non-flammable foundation
- Please remove all packaging and wrapping material before use
- Ensure the room containing the fireplace has adequate ventilation overall

STARTING UP

- Place Environment Canada approved, 369g gel fuel canisters (not included) into the fireplace as shown later in the manual. Then light according to the gel fuel's instructions. This is usually done with a long match or barbecue lighter. Do not put dead matches inside the gel fuel can, the flame will light slowly and spread across the surface of the gel.
- Spilled gel must be removed with an absorbent tissue and cleaned with water to prevent ignition outside the burner reservoir. Consult the gel fuel label for clean up instructions.
- In case the flame does not ignite, please repeat the ignition process until the flame burns steadily. Fuel will burn low at first. Please allow 15 minutes to reach the optimum temperature and flame height.

CAUTION:

- **Risk of Fire:** There is always a risk of fire when using an exposed flame. Keep insert 3 Feet away from flammable materials and 25 feet away from flammable liquids or gel fuel canisters that you are storing.
- Spilled gel may lead to stains on parquet flooring.
- Unused fuel must be kept a safe distance (min. 1m/40 inch) from the fireplace insert.
- Do not place fuel lit or unlit in front of the fireplace insert.

EXTINGUISHING THE FLAME

CAUTION: Never Extinguish the Flame with Water

Always use the provided fire extinguishing mechanism.

If you wish to extinguish the flame before the fuel has completely burned out, please use the extinguishing mechanism to fully close the opening of the fuel can and wait until the flame is extinguished. Wait approximately 15 minutes until the canister has reached room temperature.

In an emergency situation, use a fire extinguisher to extinguish flames.

MAINTENANCE & SAFETY

SAFETY INSTRUCTIONS

- When ventilated, the room where the fireplace insert is operated should not be smaller than 400 sq.ft. (With an average ceiling height of 2.30m/8ft, the room should be at least 20m³/215sqf).
- It is NOT recommended to use more than one fireplace insert at a time in one room.
- Never leave an open fire unattended at any time!
- **CAUTION:** Do not touch the fireplace insert while burning. Please allow at least 15 minutes to cool down before touching the product after flame is extinguished.
- Never pour fuel into an open flame or hot canister. Allow at least 15 minutes after use.
- The fireplace insert is not suitable for heating purposes, it is decorative.
- Keep fuel containers closed tightly.
- Keep fuel away from children and animals.
- The burning canister must not be exposed to direct heat such as direct sunshine or central heating.
- Do not place any flammable material within 1 meter/40 inches around the fireplace insert. A safety distance of at least 2 meters/80 inches should be kept from any window or curtain.
- **CAUTION:** Do not smoke while handling the fuel.
- Avoid draught in the room where the fireplace is operated.
- Avoid draught causing movements in the proximity of the fireplace insert as these might fan the flame.
- Due to the heat of the fireplace insert, keep children and animals away during use and for 30 minutes after use of the fireplace insert.
- Do not store any flammable goods close to the fireplace insert.
- **CAUTION:** Keep children and pets away from fireplace insert when in operation.

INSERT ASSEMBLY AND INSTALLATION

INSERT INSTALLATION:

Note: illustration is for use with assembly of all models and may not look exactly like your model.

- Insert fire place insert box from the FRONT of the mantel. Make sure the insert firebox is pressed tightly against the assembled unit. *Figure. 1*
- Set insert firebox on the base firmly against opening. Upper lip and lower tray of insert's firebox should extend through the front of the unit.
- This unit comes with two clips that are installed on the left and right sides of the unit. *Figure. 2*
- Fix the above-mentioned clips on the side panels of the mantel by two screws provided. *Figure. 2*

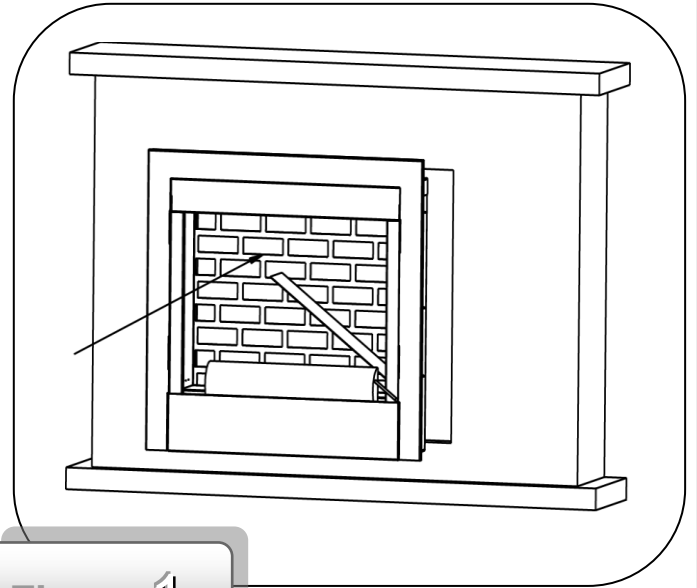


Figure 1

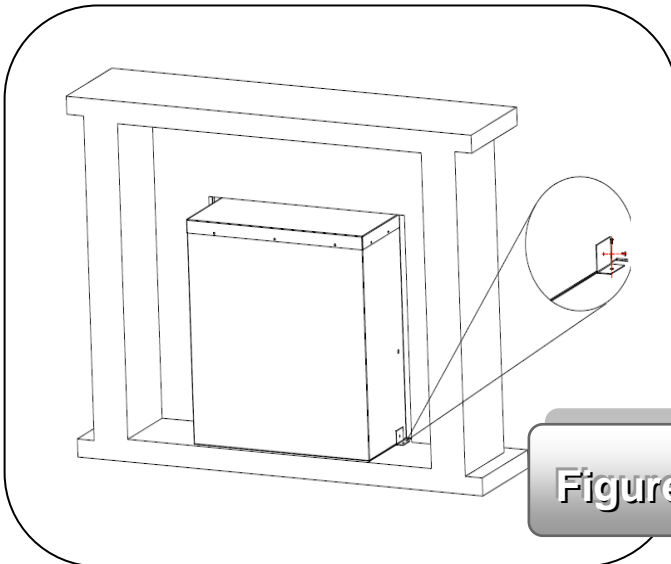


Figure 2

LOG SET & FUEL CANISTER ASSEMBLY

- Set mantel grate at front of insert's firebox.
- Move the unit to the desired location.
- Place up to two cans of gel fuel into the combustion chamber behind the log set. *Figure. 3*
- Carefully place the log set on top of grate behind L-brackets. *Figure. 3.*
- Carefully place the Log set/Ceramic Stone on top of grate behind L-brackets. *Figure. 3.*

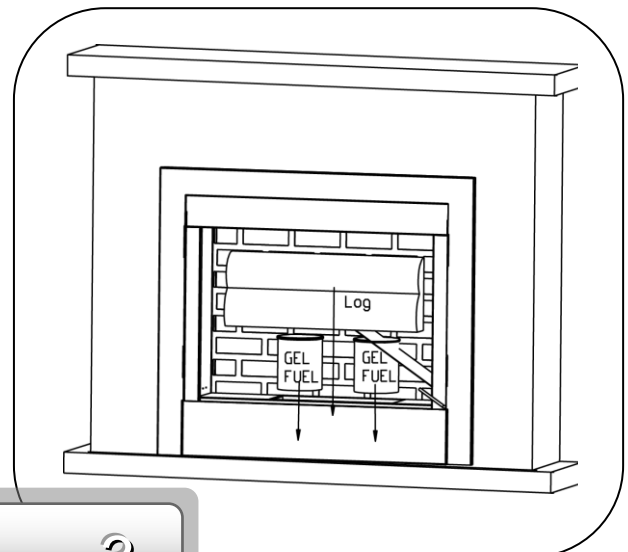


Figure 3

FIRE EXTINGUISHING

CAUTION: Never extinguish the flame with water!

If you wish to extinguish the flame before the fuel has completely burned out. Please read the following steps carefully.

FIRE EXTINGUISHING

- Locate the lever at the right bottom corner of the opening and pull the lever to the left, the snuffer panel will flip down to extinguish the fire.

Figure. 4

- **Caution:** Please wait ten seconds until the flame is extinguished completely
- **In an emergency situation, use a fire extinguisher to extinguish gel fuel**

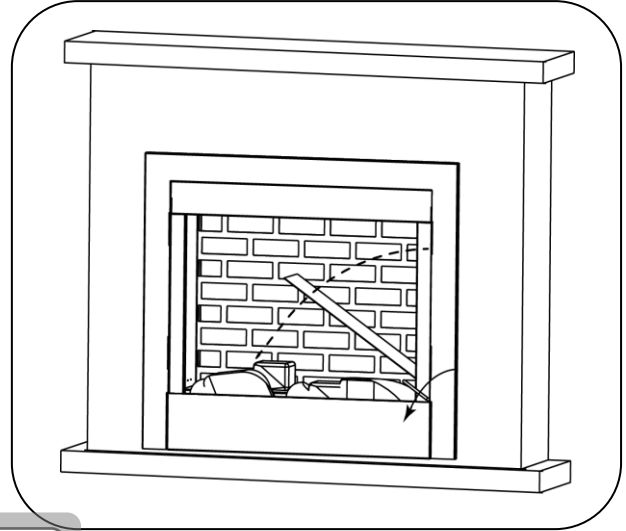


Figure 4

RE-OPEN FIRE EXTINGUISHING PANEL

- Pull the lever at the right bottom corner of the opening to the right until the snuffer panel leans against the right side panel. *Figure. 5*

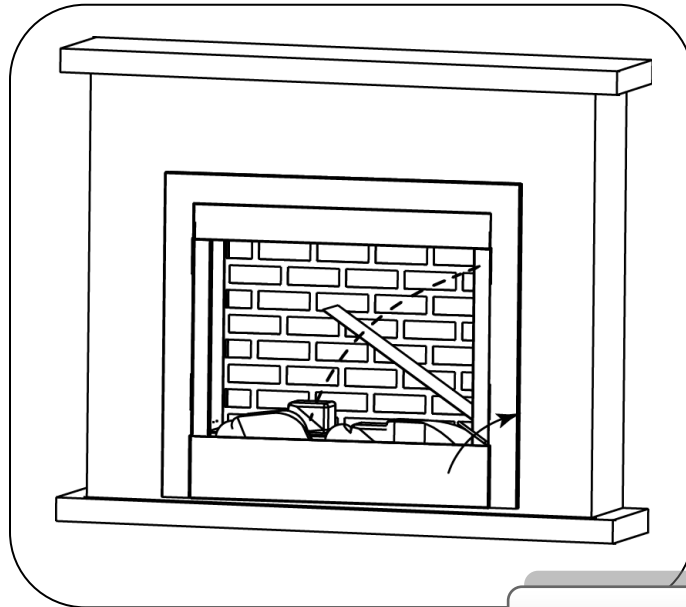


Figure 5

Paramount

For questions, concerns or problems with our product please
email our customer service department: parts@jrhome.com or call 1-800-561-5550.

DATED PROOF OF PURCHASE REQUIRED FOR WARRANTY SERVICE.

For more info go to www.jrhome.com